

## OPW 53VML (30MV) Ball Float Vent Valves

The OPW 53VML Ball Float Vent Valves protrude into underground storage tanks from OPW 233 Series Extractor Fittings at the Stage I vapor return riser pipe or tank vent line. During a product delivery, as the tank level rises, a counterweight stainless steel ball seats on the valve body and restricts flow of vapors back to the transport truck. As the vapors become compressed in the tank (ullage), product flow into the tank is severely restricted. The 53VML Series Ball Float meets the U.S. EPA 90% requirement for product flow restriction into underground storage tanks. The 53VML-0060 and 53VML-0065 are designed as "back-up" overfill protection for overfill prevention valves, and to minimize product mixing with underground manifold vent lines.

### Ordering Specifications and Dimensions

Product #	Pipe Dia.	Length (A)		Weight	
		in.	mm	lbs.	kg
53VML-0060	2*	6 <sup>1</sup> / <sub>8</sub>	157	2	0.9
53VML-2070	2	7	178	3	1.5
53VML-0120	2	12	305	4	1.8
53VML-0160	2	16	407	5	2.3
53VML-0180	2	18	457	6	2.7
53VML-3050	3	5	127	5	2.3
53VML-3110	3	11	279	7.6	3.5
53VML-3120	3	12	305	7.7	3.5

\* 1/16" Vapor Flow Orifice

### 30MV-KIT Ordering Specifications

Part #	Description
30MV-KIT	O-Ring 1/16" Brass orifice insert

### Materials

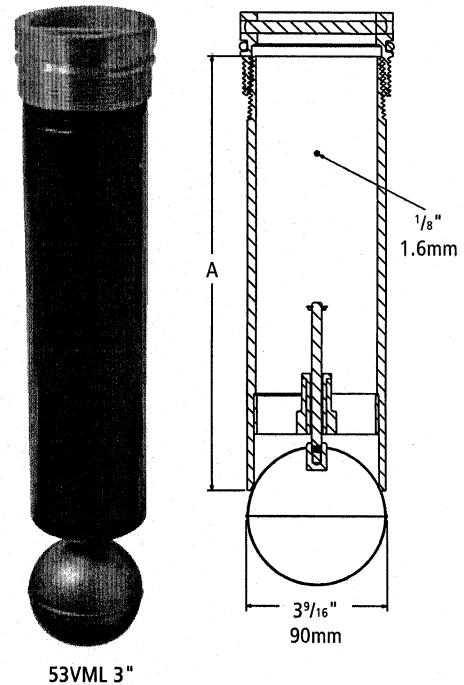
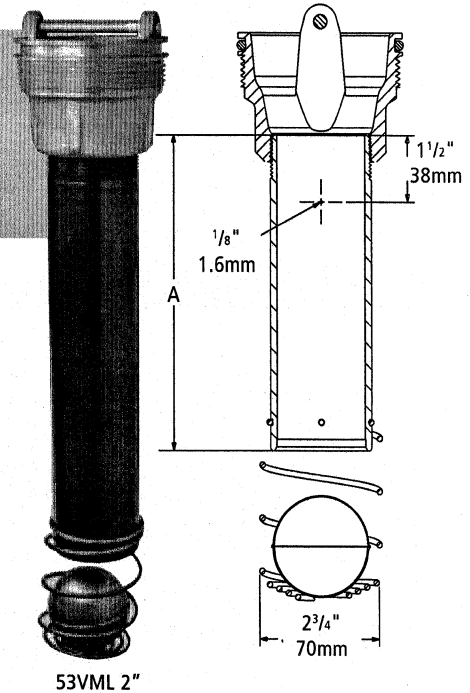
Pipe Nipple: Steel  
Coating: Black Duragard\*  
Basket: Stainless steel  
Ball: Stainless steel

### Features

- ◆ Stainless Steel Counterweight Ball Float – corrosion-resistant for a long service life. Counterweight ensures proper seating of the ball for precision "slow-down" of product flow into the tank.
- ◆ Vapor Flow Orifice – a "bleed" hole machined into the body of the valve, sized to properly "slow-down" the delivery flow rate.
- ◆ Duragard® Body Coating – helps prevent rust and corrosion build-up for a smooth seating surface and long service life.
- ◆ Various Body Lengths – accommodate virtually any size tank.
- ◆ 2" and 3" Body Sizes – 3" size increases vapor flow to reduce product delivery time.
- ◆ Easy Installation, Service and Testing – both 2" and 3" valves install in OPW 233 Series Extractor Fittings and are easily removed for inspection or tank testing with OPW 89 Extractor Wrench.
- ◆ Compatible with 85% Ethanol (E85) or Methanol (M85)

### Convert your 53VML into the 30MV Ball Float

The 30MV Series ball float has the same function as the 53VML, but allows for higher storage capacity in larger volume tanks. The 30MV meets the U.S. EPA 30-minute warning requirement for product flow restriction in the underground storage tank. Using the Tank Ullage calculation on page 111, convert your desired length 53VML by adding the 30MV-KIT.



53VML/30MV Instruction Sheet  
Order Number: H14111PA

**Warning** OPW Overfill Warning Systems should only be used on submerged pumping systems, not suction pump systems. For special applications, contact OPW Fueling Components. OPW Overfill Warning Systems should only be used on gravity drop systems. DO NOT use where Pump-Off Unloading or coax fills are used.