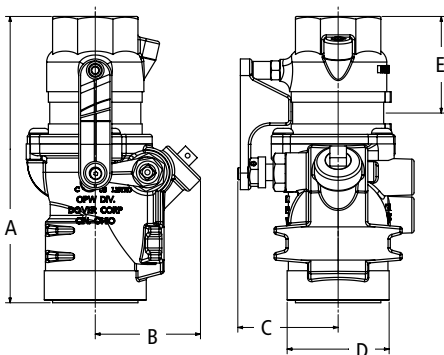
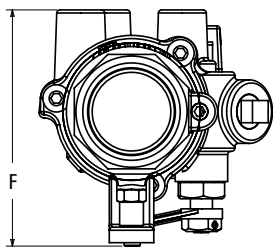


10 Plus Series Emergency Shut-Off Valves

OPW raised the protection standard in emergency valves when it introduced the first double-poppet valve back in 1989. This industry-changing OPW innovation helped to significantly reduce the risk of fire, explosion, personal injury, property damage and environmental contamination at sites around the world. Major oil companies and jobbers agreed that providing added protection for their customers, investments and the environment were the three most convincing reasons for switching to the innovative new valves.

Dimensions

	in.	cm
A	7 ⁹ / ₁₆	4
B	2 ²⁵ / ₃₂	4
C	2 ²¹ / ₃₂	4
D	2 ¹¹ / ₁₆	4
E	2 ⁹ / ₁₆	4
F	4 ²¹ / ₃₂	4



Materials

Top: Cast iron
Body: Cast iron

10 PLUS



UL Listed
for up to
85%
Ethanol

Features

- ◆ The ONLY emergency shut-off valve in the world designed to protect your customers, investments, and the environment against the potential hazards of undetected shear groove leaks caused by low-impact incidents.
- ◆ The patent-pending SmartGuard™ design contains shear groove leaks, preventing fuel from leaking into sumps to help reduce the risk of fire, explosion, personal injury, property damage, environmental contamination, product loss and costly clean-up.
- ◆ Superior shear groove design and engineering results in reliable valve shut-off in the event of a pull-over or dislodged dispenser. The 10 Plus utilizes the same time-tested field-proven design of the OPW 10 Series Emergency Shut-off Valve – the most specified emergency shut-off valve in the world.
- ◆ Fusible link releases to automatically close the valve to reduce fire hazard.
- ◆ Rigorously tested to meet OPW's rigid quality standards.
- ◆ E85 model has orange arm for visual indicator

Ordering Specifications

Model #	Body Size		Body Weight		Connection Threads	Poppet Configuration	Application	Mounting System
	in.	cm	lb.	kg				
10P-0150	1 1/2	4	6.7	3.05	NPT	Single	Pressure	Combination
10P-0152	1 1/2	4	6.8	3.10	NPT	Double	Pressure	Combination
*E85 10P-0152E85	1 1/2	4	6.8	3.10	NPT	Double	Pressure	Combination

*E85 Applications



10 Plus Replacement Parts

Part #	Description
10RPLUS-0150	10 Plus Single Poppet Replacement Top
10RPLUS-0152	10 Plus Double Poppet Replacement Top
202950	1 1/2" Tetra Seal
200143	Safety Hub/Fusible Link
H11361M	2" Tetra Seal

Listings and Certifications



10 Plus Series Instruction Sheet Order Number: 201614