

Product Shown
B1380-S30

About the B1000 Series

The Bravo B1000 Series, one of the most cost-competitive UDCs on the market today, provides optimum flexibility for modern station designs with its efficient design and electrical offsets on both ends of the UDC. Constructed from fuel compatible fiberglass resin with no gel coat requirement and galvanized steel.

SIZES

- 28" width at base

**See page 2 for dimension drawing and dimension chart*

MATERIAL

- Fiberglass
- Galvanized steel
- Quality FRP material won't deform like polyethylene

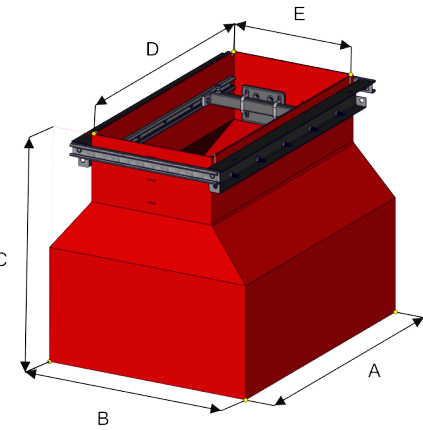
SPECIFICATIONS

- Available for all common dispensers
- 28" width offers more inside room for components
- 30-year corrosion warranty
- Room for up to 10 conduits
- FRP splash lip and minimized steel work provides corrosion advantage
- UL2447 listed

Bravo Solution Center

Call or Text (323) 541-3851
orders@sbravo.com





Bracket and Kits for B1000 Series

Stabilizer Bar and Bracket Assembly		
Encore/Helix Wide	BK-1017	Boss-mount bracket for B1000 & stabilizer bar for 17". Wide assembly with hardware.
Ovation/Ovation High Speed/Helix Narrow/Pacific/Reliance/Select	BK-1015	Boss-mount bracket for B1000 & stabilizer bar for 15". Wide assembly with hardware.
Atlas/Bennett 3000	BK1011	Boss-mount bracket for B1000 & stabilizer bar for 11". Wide assembly with hardware.

B1000 Series

Dispenser Model	Part #	A	B	C	D	E
Gilbarco Encore 300, 500, 700	B1380-S30	37"	28"	29.5"	36"	17"
Wayne Ovation (3+0) (3+1) up to 3 inlets	B1250-S30	37"	28"	29.5"	35"	14.75"
Wayne Ovation High-speed Diesel/Ovation HL Series	B1254-S30	36"	28"	29.5"	35"	14.75"
Wayne Ovation High-speed Diesel/Ovation HS Series *	B1257-S30	29"	28"	29.5"	27"	14.75"
Wayne Helix Wide Frame	B1256-S30	37"	28"	29.5"	37.5"	17"
Wayne Helix Narrow Frame	B1242-S30	29"	28"	29.5"	27"	14.75"
Wayne Reliance Select	B1210-S30	29"	28"	29.5"	27"	14.75"
Bennett Pacific	B1411-S30	37"	28"	29.5"	35"	14.75"
Bennett 3000 Big Fueler *	B1430-S30	19"	29.5"	29.5"	19"	11.5"
Gasboy Atlas	B1670-S30	19"	29.5"	29.5"	19"	11.5"

* Electrical Offsets on one end

