



May 12, 2020

Scott Johnson
Office of Illinois State Fire Marshal
1035 Stevenson Drive
Springfield IL 62703-4259

RE: Fuel Compatibility

This letter is in reference to the following site:

CITGO
1600 S. Ridgeland Avenue
Berwyn, IL 60402

Parts and equipment listed are to have been manufactured within calendar year of this letter.

This letter affirms that the list of referenced products below has UL/ULC **842A** Approval and is compatible with the following fuels:

E85

Compatible equipment/models:

STP-MLD+-AG

Sincerely

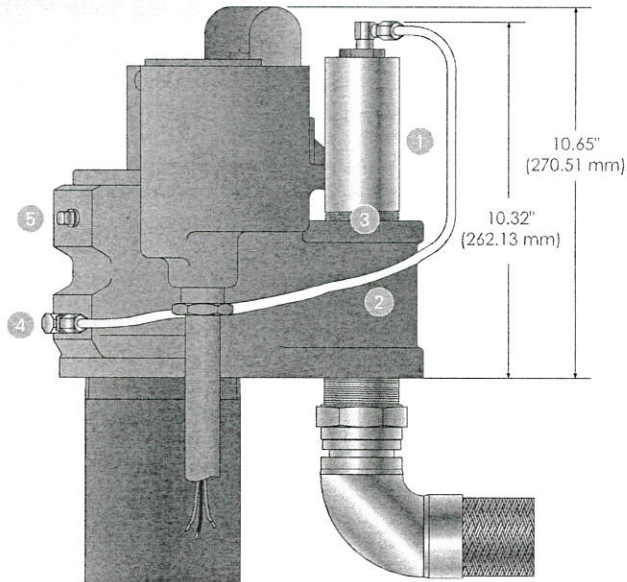
A handwritten signature in black ink, appearing to read 'Loren Swalheim'.

Loren Swalheim
Director, Global Technical Services
Franklin Fueling System

Specifications continued

Installation

- 1 MLD+
- 2 MLD+ vent tube
- 3 Line leak detector housing (2" NPT)
- 4 Tank port (vent tube must be connected here)
- 5 Syphon port



Submersible Pumping Systems

Ordering Information

Standard Fuel MLD+ Mechanical Leak Detectors

Model	Description
403168901	STP-MLD+G for gas, single pack (blue cover, copper vent tube, brass fittings)
403168903	STP-MLD+G for gas, three pack
403170901	STP-MLD+D for diesel, single pack (gold cover, copper vent tube, brass fittings)
403170903	STP-MLD+D for diesel, three pack
403172903	STP-MLD+D combo, three pack (contains two STP-MLD+G and one STP-MLD+D)

Biofuel MLD+ Mechanical Leak Detectors

Model	Description
403169901	STP-MLD+AG for alcohol-gas, single pack (blue cover, stainless steel tube and fittings)
403169903	STP-MLD+AG for alcohol-gas, three pack
403171901	STP-MLD+BD for biodiesel, single pack (gold cover, stainless steel tube and fittings)
403171903	STP-MLD+BD for biodiesel, three pack

Notes:

1. MLD+G are listed for compatibility with fuel mixtures containing up to 10% ethanol with gasoline, up to 5% biodiesel with diesel fuels, and 20% MTBE, 20% ETBE, or 17% TAME with gasoline.
2. MLD+D models are listed for compatibility with diesel fuels with up to 5% biodiesel and kerosene applications only.
3. MLD+AG models are listed for fuel mixtures containing up to 85% ethanol with gasoline and 20% MTBE, 20% ETBE, or 17% TAME with gasoline as well as diesel fuels, fuel oils, kerosene, Avgas and jet fuels.
4. MLD+BD models are listed for diesel with up to 20% biodiesel or 100% biodiesel and kerosene applications only.
5. All above models will only mount in the 2" NPT leak detector port of a 4" submersible turbine, including competitive models, or in a leak detector adapter tee (sold separately below).
6. MLD+ models are listed for use with rigid pipelines up to 165.1 gallon capacity, with flexible pipelines up to 109.8 gallon capacity, and with combination rigid/flexible pipelines up to 274.9 gallon capacity.