

# XP FLEXIBLE PIPEWORK

APT™ XP pipework provides a highly flexible pipework solution that makes installation simple and easy in any weather condition or site configuration. XP pipework can be used in both pressure and suction applications, and is ideal for underground service station fuel delivery systems. The XP pipework system features controlled flexibility, even in low temperatures, permitting fast, easy installation.

Reel Size	Inches*	cm*
Master	91 x 33 x 74	231.1 x 83.8 x 187.9
Super Master (S. Mast.)	91 x 52 x 74	231.1 x 132.1 x 187.9

\*Reel dia. x width x hub dia.

## HIGHLIGHTS

- Available in 1", 1½", 1¾" and 2" diameters in a variety of coil lengths.
- The D-Series piping is a single wall, direct bury piping.
- The SC-Series piping provides additional environmental security as a secondary contained direct bury pipe.
- XP pipe features a 3 ft. bend radius for all pipe diameters making it one of the most flexible, yet durable fuel pipes available.
- No possibility of piping layer delamination due to the layered piping construction of high-grade material.
- With long coils (1000+ ft.) and simple fittings, XP pipework can be installed quickly without specialized tools in any weather.

## SPECIFICATIONS

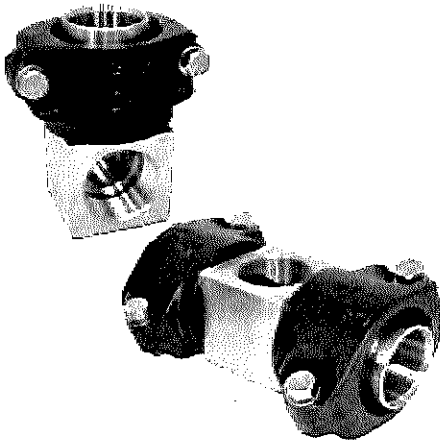
- Primary layer construction of Nylon 12 - the fuel line material contains no polyethylene.
- Do not store piping in direct sunlight.

### Approvals/Certifications

- UL971 listed.
- Biofuel compatible (E85 and Biodiesel).

## ORDERING INFORMATION

Model	Description	Ft.	Reel	Weight	
				Lbs	Kg
XP-100-SC	1" secondary contained	250	Master	301	136
		500	Master	408	185
		2500	S. Master	1299	589
XP-100-D	1" single wall	250	Master	258	117
		500	Master	320	145
		100	Master	250	113
XP-150-SC	1½" secondary contained	250	Master	333	151
		500	Master	470	213
		1,000	S. Master	789	358
		1,500	S. Master	1061	481
		100	Master	225	102
XP-150-D	1½" single wall	250	Master	270	122
		500	Master	570	259
		1,000	S. Master	536	243
		1,500	S. Master	686	311
XP-175-SC	1¾" secondary contained	100	Master	300	136
		250	Master	405	184
		500	Master	580	263
XP-200-SC	2" secondary contained	1,000	S. Master	1076	488
		250	Master	552	250
		500	S. Master	914	415
XP-200-D	2" single wall	250	Master	427	194
		500	S. Master	664	301



# XP PIPE CLAMSHELL TEE AND ELBOW FITTINGS

Installing APT™ XP flexible pipe inside of a narrow-base dispenser sump has never been easier. The XP pipe clamshell tee and elbow fittings allow for an easy space-saving installation by enabling an installer to connect flexible pipe directly into a shear valve riser. This eliminates the need for extra galvanized fittings. By eliminating the galvanized fittings, you also reduce the amount of potential leak points, giving you peace of mind that your installation is secure. With the tee and elbow fittings you can complete an XP pipe installation inside of a sump in less than 16" of linear space. The stainless steel design of the fittings makes them an ideal solution for any fueling application.

## HIGHLIGHTS

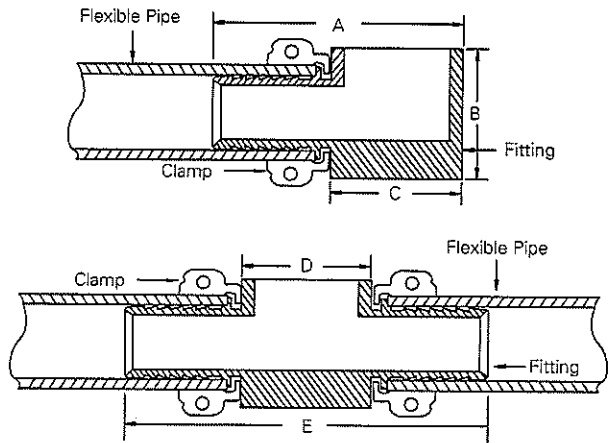
- Ideal for retrofit installations where containment sump has limited space or a narrow base.
- Eliminate threaded pipe joints inside of containment space; freeing up valuable space in tight quarters.
- Solid stainless steel construction.
- E-coated clamps provide durability and corrosion resistance from gas/alcohol blends (including E85), diesel and Biodiesel.
- NPT threads are compatible with locally available standard termination fittings.
- 100 psi rated working pressure.
- Stainless steel fittings are biofuel approved (E85, DEF, and Biodiesel).

## SPECIFICATIONS

### Approvals

- cULus listed.

### Dimensions



## ORDERING INFORMATION

Model	Description
TEE-XP-150	Stainless steel XP pipe clamshell tee fitting, installs on the end of 1½" single/secondary contained XP pipe with 1½" NPT
ELB-XP-150	Stainless steel XP pipe clamshell elbow fitting, installs on the end of 1½" single/secondary contained XP pipe with 1½" NPT
TEE-XP-175	Stainless steel XP pipe clamshell tee fitting, installs on the end of 1¾" single/secondary contained XP pipe with 1½" NPT
ELB-XP-175	Stainless steel XP pipe clamshell elbow fitting, installs on the end of 1¾" single/secondary contained XP pipe with 1½" NPT
TEE-XP-200	Stainless steel XP pipe clamshell tee fitting, installs on the end of 2" single/secondary contained XP pipe with 1½" NPT
ELB-XP-200	Stainless steel XP pipe clamshell elbow fitting, installs on the end of 2" single/secondary contained XP pipe with 1½" NPT

Model	A	B	C	D	E
TEE/ELB-XP-150	4.75"	2.50"	2.50"	2.50"	4.75"
TEE/ELB-XP-175	4.75"	2.50"	2.50"	2.50"	7.00"
TEE/ELB-XP-200	5.00"	2.50"	2.50"	2.50"	7.00"