

ORDERING INFORMATION

A typical turbine model designation has up to five components to define the pump being supplied as follows:

STP XXXXX Y - A - B

STP = Basic Model Designation

XXXXX = Factory Installed Options (Model designations may include one or more of the following characters in alphabetical order.)

AG = Alcohol-gasoline compatible (up to E85, up to B20, and B100) (Note standard models up to 10% ethanol capable)

F = Floating suction adapter (1 1/2" NPT female adapter)

K = Intake filter screen (IFS, factory installed to PMA)

M = MagShell® (flow enhancing, expanded PMA shell)

*R = Model R check valve (24 psi relief / 22 psi reset for PLLD)

*W = Model W check valve (16 psi relief / 13 psi reset for PPM4000)

Y = Pump Motor Horsepower Rating

150 = 1 1/2 hp fixed speed

A = Model Length (see table)

VL1 = Variable length range #1.

VL2 = Variable length range #2.

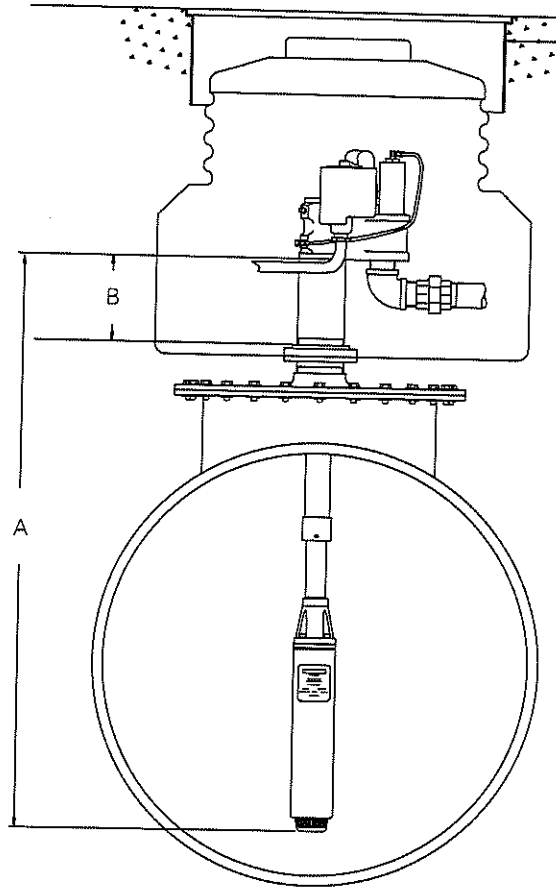
VL3 = Variable length range #3.

(Note VL2 models fit 94% of all known installations)

B = Riser Pipe Length (see diagram)

Riser pipe length is expressed as two numeric characters that indicate the total length of the riser in inches. Riser pipes are available from 7" to 60" in 1" increments (additional charge for risers 31" or longer).

Notes: *If not otherwise specified, all STP models are supplied with standard model check valve (40 psi relief / 35 psi reset for MLD, TS-LS300, and TS-LS500).



Model Length (A)

STP Horsepower	Model Length Range	Model Length Designation
1 1/2 hp	60" - 88"	VL1
	91" - 152"	VL2
	123" - 214"	VL3
1 1/2 hp high pressure	61" - 89"	VL1
	92" - 152"	VL2
	124" - 215"	VL3