

# LARGE MOUTH POLYETHYLENE DISPENSER SUMPS

APT® Large Mouth Polyethylene Dispenser Sumps feature a two-piece modular design and large sump opening to provide easy installation and ample space for under dispenser containment. With a variety of sump lengths, two depth options, an assortment of top frame options, and field height adjustability, there is a solution to match virtually any application and provide complete compatibility with the industry's most popular dispenser models.



## HIGHLIGHTS

- The ribbed riser can be cut down in 3" increments in the field to adjust sump height and achieve proper pipe slopes with respect to grade.
- Available in medium (28") and deep (43") burial depths to properly maintain slope.
- 22" wide by 24", 36", or 48" long opening on base gives plenty of room for boot, fitting, and monitor installation.
- The sump base widens to a spacious 26" where entry boots and pipe connections are made.
- Corrosion-resistant powder coated steel top frames provide durability and extended service life.
- Stabilizer bar kits (SBKs) mount into welded strut channels for shear valve mounting (one SBK is required for each shear valve and must be purchased separately).

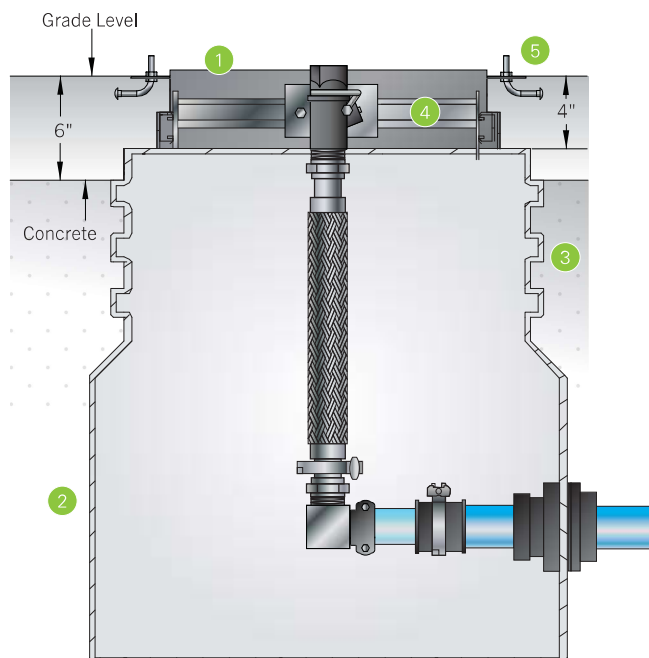
## SPECIFICATIONS

### Approvals/Certifications

- ULc listed.
- Florida EQ-423 approved.

### Components

- 1 Top frame
- 2 Base
- 3 Riser, field adjustable
- 4 Stabilizer bar kit
- 5 Concrete anchors



# ORDERING INFORMATION

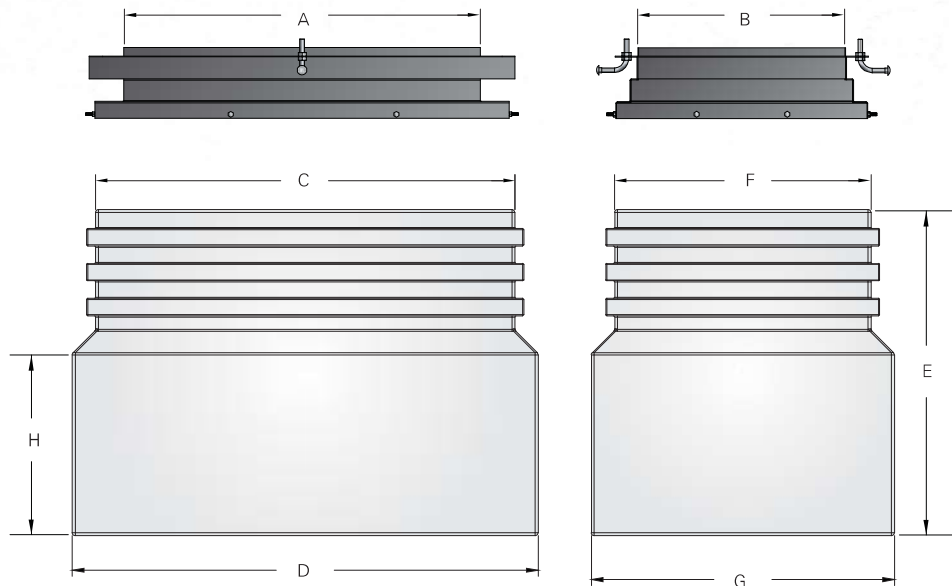
## Large Mouth Polyethylene Dispenser Sumps

Use the drawing diagram and the dimensions below to identify the appropriate dispenser sump for your application or use the Large Mouth Dispenser Sump Directory found on the following pages.

Model	Top Frame Mouth Length (A)	Top Frame Mouth Depth (B)	Sump Base Mouth Length (C)	Sump Base Bottom Length (D)	Sump Base Height (E)		Sump Base Mouth Depth (F)	Sump Base Bottom Depth (G)	Sump Base Bottom Height (H)
					Medium (M)	Deep (D)			
LM(M/D)-1410	13.50"	9.75"	24.00"	28.00"	28.00"	43.00"	22.00"	26.00"	15.50"
LM(M/D)-1913-T	19.00"	12.00"	24.00"	28.00"	28.00"	43.00"	22.00"	26.00"	15.50"
LM(M/D)-2010	20.50"	10.00"	24.00"	28.00"	28.00"	43.00"	22.00"	26.00"	15.50"
LM(M/D)-2018	20.81"	18.31"	24.00"	28.00"	28.00"	43.00"	22.00"	26.00"	15.50"
LM(M/D)-2313-T	23.00"	12.00"	36.00"	40.00"	28.00"	43.00"	22.00"	26.00"	15.50"
LM(M/D)-2407	23.75"	7.50"	36.00"	40.00"	28.00"	43.00"	22.00"	26.00"	15.50"
LM(M/D)-2715	27.00"	15.00"	36.00"	40.00"	28.00"	43.00"	22.00"	26.00"	15.50"
LM(M/D)-2811	28.50"	11.00"	36.00"	40.00"	28.00"	43.00"	22.00"	26.00"	15.50"
LM(M/D)-2915	29.75"	15.75"	36.00"	40.00"	28.00"	43.00"	22.00"	26.00"	15.50"
LMM-2915-HLX*	29.75"	15.25"	36.00"	40.00"	28.00"	43.00"	22.00"	26.00"	15.50"
LM(M/D)-3610	36.00"	10.25"	48.00"	52.00"	28.00"	43.00"	22.00"	26.00"	15.50"
LM(M/D)-3617*	36.00"	17.25"	36.00"	40.00"	28.00"	43.00"	22.00"	26.00"	15.50"
LM(M/D)-3914-36-W*	38.75"	14.00"	36.00"	40.00"	28.00"	43.00"	22.00"	26.00"	15.50"
LM(M/D)-3914	38.75"	14.00"	48.00"	52.00"	28.00"	43.00"	22.00"	26.00"	15.50"
LMM-3915-HLX*	39.75"	15.25"	48.00"	52.00"	28.00"	43.00"	22.00"	26.00"	15.50"
LM(M/D)-4018	39.75"	17.75"	48.00"	52.00"	28.00"	43.00"	22.00"	26.00"	15.50"
LM(M/D)-4111	41.50"	11.00"	48.00"	52.00"	28.00"	43.00"	22.00"	26.00"	15.50"
LM(M/D)-4115	41.50"	15.75"	48.00"	52.00"	28.00"	43.00"	22.00"	26.00"	15.50"

Note: For "M/D" in part number use "M" for medium or "D" for deep when ordering.

\*Conduit-less top frame.



## Stabilizer Bar Kits

One SBK is required for each shear valve and must be purchased separately. Select the appropriate SBK with the compatibility chart below.

Model	Stabilizer Bar Kit Model
LM(M/D)-1410	SBK-2
LM(M/D)-1913-T	SBK-25
LM(M/D)-2010	SBK-2
LM(M/D)-2018	SBK-3
LM(M/D)-2313-T	SBK-25
LM(M/D)-2407	SBK-1
LM(M/D)-2715	SBK-3
LM(M/D)-2811	SBK-25
LM(M/D)-2915	SBK-3
LMM-2915-HLX	SBK-3
LM(M/D)-3610	SBK-2
LM(M/D)-3617	SBK-3
LM(M/D)-3914-36-W	SBK-25
LM(M/D)-3914	SBK-3
LMM-3915-HLX	SBK-3
LM(M/D)-4018	SBK-3
LM(M/D)-4111	SBK-25
LM(M/D)-4115	SBK-3

## Grommets for Conduit-less Sumps

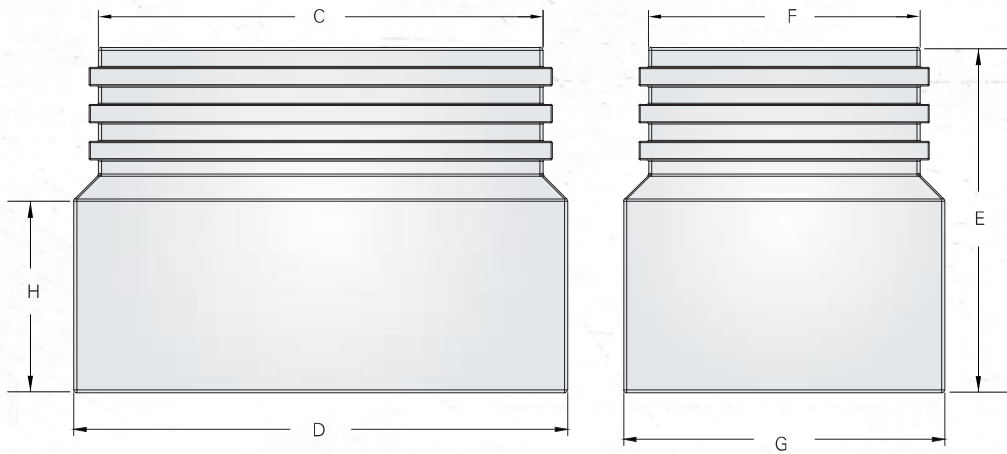
Model	Description
43605002	1/2" grommets for conduit-less sump
43607502	3/4" grommets for conduit-less sump
43610002	1" grommets for conduit-less sump

## ORDERING INFORMATION

### Large Mouth Polyethylene Dispenser Sump Base Only

Use the drawing diagram and the dimensions below to identify the appropriate dispenser sump base for your application.

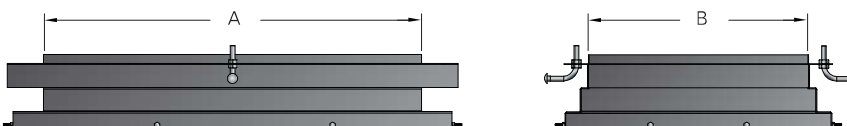
Model	Sump Base Mouth Length (C)	Sump Base Bottom Length (D)	Sump Base Height (E)	Sump Base Mouth Depth (F)	Sump Base Bottom Depth (G)	Sump Base Bottom Height (H)
LBM-2400	24.00"	28.00"	28.00"	22.00"	26.00"	15.50"
LBM-3600	36.00"	40.00"	28.00"	22.00"	26.00"	15.50"
LBM-4800	48.00"	52.00"	28.00"	22.00"	26.00"	15.50"
LBD-2400	24.00"	28.00"	43.00"	22.00"	26.00"	15.50"
LBD-3600	36.00"	40.00"	43.00"	22.00"	26.00"	15.50"
LBD-4800	48.00"	52.00"	43.00"	22.00"	26.00"	15.50"



### Large Mouth Polyethylene Dispenser Top Frame Only

Use the drawing diagram and the dimensions below to identify the appropriate top frame for your application.

Model	Top Frame Mouth Length (A)	Top Frame Mouth Depth (B)	Sump Base Size
LMT-1410	13.50"	9.75"	2400
LMT-1913-T	19.00"	12.00"	2400
LMT-2010	20.50"	10.00"	2400
LMT-2018	20.81"	18.31"	2400
LMT-2313-T	23.00"	12.00"	3600
LMT-2407	23.75"	7.50"	3600
LMT-2715	27.00"	15.00"	3600
LMT-2811	28.50"	11.00"	3600
LMT-2915	29.75"	15.75"	3600
LMT-2915-HLX	29.75"	15.25"	3600
LMT-3610	36.00"	10.25"	4800
LMT-3617-36	36.00"	17.25"	3600
LMT-3914-36-W	38.75"	14.00"	3600
LMT-3914	38.75"	14.00"	4800
LMT-3915-HLX	39.75"	15.25"	4800
LMT-4018	39.75"	17.75"	4800
LMT-4111	41.50"	11.00"	4800
LMT-4115	41.50"	15.75"	4800



## ORDERING INFORMATION

### Large Mouth Polyethylene Dispenser Sump Directory

Use the directory to identify the appropriate dispenser sump for your application based on the dispenser model it will be installed under.

#### Bennet®

Series	Model	Polyethylene Sump	SBK #
Horizon/Big Squirt	2200 Series	LM(X)-2010	SBK-2
Horizon	2300 Series	LM(X)-2811	SBK-25
	2400 Series	LM(X)-4111	SBK-25
Mechanical	3000 Series	LM(X)-1410	SBK-2
	6000 Series	LM(X)-1410	SBK-2
Electronic	3000 Series	LM(X)-2313-T	SBK-25

#### Gasboy®

Series	Model	Polyethylene Sump	SBK #
	215A	LM(X)-1410	SBK-2
	216A	LM(X)-1410	SBK-2
	9140A	LM(X)-2313T	SBK-25
	9140AX	LM(X)-2313T	SBK-25
	9152A	LM(X)-1913T	SBK-25
	9152ATW1	LM(X)-2313T	SBK-25
	9152AX	LM(X)-1913T	SBK-25
	9152AXTW1	LM(X)-2313T	SBK-25
	9152AXTW2	LM(X)-2313T	SBK-25
	9153A	LM(X)-1913T	SBK-25
	9153AHC	LM(X)-1913T	SBK-25
	9153ATW1M	LM(X)-2313T	SBK-25
	9153ATW2	LM(X)-2313T	SBK-25
	9153AXTW2	LM(X)-2313T	SBK-25
	9850XTW2	LM(X)-2313T	SBK-25
	9852ATW2	LM(X)-2313T	SBK-25
	9852AXTW2	LM(X)-2313T	SBK-25
	9853ATW2	LM(X)-2313T	SBK-25
	9853AXTW2	LM(X)-2313T	SBK-25
	9153AX	LM(X)-1913T	SBK-25
	9153AXTW1	LM(X)-2313T	SBK-25
	9753EXIL	LM(X)-1913T	SBK-25
	9840A	LM(X)-2313T	SBK-25
	9840AX	LM(X)-2313T	SBK-25
	9850A	LM(X)-1913T	SBK-25
	9850AX	LM(X)-1913T	SBK-25
	9850AXTW1	LM(X)-2313T	SBK-25
	9852A	LM(X)-1913T	SBK-25
	9852ATW1	LM(X)-2313T	SBK-25
	9852AX	LM(X)-1913T	SBK-25
	9852AXTW1	LM(X)-2313T	SBK-25
	9853A	LM(X)-1913T	SBK-25
	9853AHC	LM(X)-1913T	SBK-25
	9853ATW1M	LM(X)-2313T	SBK-25
	9853AX	LM(X)-1913T	SBK-25
	9853AXTW1	LM(X)-2313T	SBK-25
	ATLAS	LM(X)-2313T	SBK-25

**Gilbarco®**

Series	Model	Polyethylene Sump	SBK #
Advantage MPD		LM(X)-4115	SBK-3
Advantage Quad/Dual		LM(X)-2915	SBK-3
Advantage Single Hose	B71XXX	LM(X)-4115	SBK-3
Advantage Six Hose		LM(X)-4115	SBK-3
Advantage X+0 (36" frame)	B7AXXX	LM(X)-2915	SBK-3
Advantage X+0, X+1 (48" frame)	B7XXXX	LM(X)-4115	SBK-3
Commercial High Gallonage		LM(X)-2010	SBK-2
Commercial Ultra High Gallonage		LM(X)-2010	SBK-2
Eclipse	All	LM(X)-2010	SBK-2
Encore™ (40" sump length)	All	LM(X)-3617	SBK-3
Encore™ Super Hi	All	LM(X)-3617	SBK-3
Encore™ Ultra Hi	All	LM(X)-3617	SBK-3
Highhose MPD-X		LM(X)-3610	SBK-2
Highhose Salesmaker-2H	AM62XXXA	LM(X)-2010	SBK-2
Highhose Salesmaker 4/4A		LM(X)-2313T	SBK-25
Highhose Salesmaker Pro	ABXXXXA	LM(X)-2313T	SBK-25
Highline 111B 21" frame	AC6921A	LM(X)-2010	SBK-2
Highline 111B 27" frame	AC3921A	LM(X)-2010	SBK-2
Highline High Gallonage	AC6942A	LM(X)-2010	SBK-2
Highline Ultra Hi Gallonage	AC6992A-MS1	LM(X)-2010	SBK-2
Highline Salesmaker 21" frame	AC1921A-S1	LM(X)-1410	SBK-2
Highline Salesmaker 27" frame	AC1921A-S1	LM(X)-1410	SBK-2
Highline Satellite	AC-4093-S1	LM(X)-2010	SBK-2
	AC-6093-S1	LM(X)-2010	SBK-2
Highline Super Hi	AC4982A-MS1	LM(X)-2010	SBK-2
	AC7982A-MS1	LM(X)-2010	SBK-2
Highline Ultra Hi	AC4992A-MS1	LM(X)-2010	SBK-2
	AC7992A-MS1	LM(X)-2010	SBK-2
Legacy	All	LM(X)-2407	SBK-1
Trimline 21" frame	252-0	LM(X)-2010	SBK-2
Trimline 27" frame	252-0	LM(X)-2010	SBK-2

**RDR**

Series	Model	Polyethylene Sump	SBK #
RDR		LM(X)-2018	SBK-3

**Schlumberger**

Series	Model	Polyethylene Sump	SBK #
Centurion Narrow	XXXX1	LM(X)-2915	SBK-3
Centurion Wide	XXXX2	LM(X)-4115	SBK-3
	435, 440, 640, 650	LM(X)-1913T	SBK-25
2300 Series		LM(X)-2811	SBK-25
2400 Series		LM(X)-4111	SBK-25

**Universal**

Series	Model	Polyethylene Sump	SBK #
Univision	UV-9100	LM(X)-2811	SBK-25
	UV-9200	LM(X)-2811	SBK-25
	UV-9300	LM(X)-4111	SBK-25
	UV-9400	LM(X)-4111	SBK-25
3000 Narrow Base	All	LM(X)-1410	SBK-2
3000 Wide Base	All	LM(X)-1410	SBK-2
3500 Narrow Base	All	LM(X)-1410	SBK-2
3500 Wide Base	All	LM(X)-1410	SBK-2
4000 Narrow Base	All	LM(X)-1410	SBK-2
4000 Wide Base	All	LM(X)-1410	SBK-2
8000	All	LM(X)-3914	SBK-25

**Tokheim®**

Series	Model	Polyethylene Sump	SBK #
	162	LM(X)-1913T	SBK-25
	220	LM(X)-1410	SBK-2
	222	LM(X)-1410	SBK-2
	262	LM(X)-1913T	SBK-25
	311	LM(X)-2407	SBK-3
	312	LM(X)-2407	SBK-3
	322	LM(X)-2407	SBK-3
	324	LM(X)-2407	SBK-3
	330	LM(X)-1410	SBK-2
	333	LM(X)-1410	SBK-2
	411	LM(X)-4018	SBK-3
	413	LM(X)-4018	SBK-3
	414	LM(X)-4018	SBK-3
	422	LM(X)-4018	SBK-3
	424	LM(X)-4018	SBK-3
	426	LM(X)-4018	SBK-3
	428	LM(X)-4018	SBK-3
	785	LM(X)-1913T	SBK-25
	793	LM(X)-1410	SBK-2
	1248	LM(X)-1913T	SBK-25
	1250	LM(X)-1913T	SBK-25
Centurion Narrow	XXXX1	LM(X)-2915	SBK-3
Centurion Wide	XXXX2	LM(X)-4115	SBK-3

**Wayne®**

Series	Model	Polyethylene Sump	SBK #
	DS/375/19	LM(X)-2407	SBK-2
	DS/585/19E	LM(X)-2407	SBK-2
	DS/585/EG	LM(X)-2407	SBK-2
V289 Vista™ Series		LM(X)-2811	SBK-25
V387 Vista™ Series		LM(X)-2811	SBK-25
V388 Vista™ Series		LM(X)-2811	SBK-25
V389 Vista™ Series		LM(X)-2811	SBK-25
V390 Vista™ Series		LM(X)-4111	SBK-25
V395 Vista™ Series		LM(X)-4111	SBK-25
V399 Vista™ Series		LM(X)-4111	SBK-25
V490 Vista™ Series		LM(X)-4111	SBK-25
V580 Vista™ Series		LM(X)-2811	SBK-25
V585 Vista™ Series		LM(X)-2811	SBK-25
V590 Vista™ Series		LM(X)-4111	SBK-25
V595 Vista™ Series		LM(X)-4111	SBK-25
350 Series		LM(X)-2407	SBK-2
360 Series		LM(X)-2407	SBK-2
370 Series		LM(X)-2407	SBK-2
387 Series		LM(X)-2407	SBK-2
389 Series		LM(X)-2407	SBK-2
390 Series		LM(X)-4111	SBK-25
490 Series		LM(X)-4111	SBK-25
Global (GXXXX) Series		LM(X)-2715	SBK-3
Ovation™ Series	All	LM(X)-3914/LMM(3914-36)	SBK-25
Reliance		LM(X)-2715	SBK-3
HS3/V387		LM(X)-2715	SBK-3
Helix™	2000, 4000	LMM-2915-HLX	SBK-3
Helix™	5000	LMM-39-15-HLX	SBK-3
Select		LMM-2715	SBK-3

franklinfueling.com  
 3760 Marsh Rd. • Madison, WI 53718, USA  
 Tel: USA & Canada +1 800 225 9787 • Fax: +1 608 838 6433  
 Tel: UK +44 (0) 1473 243300 • Tel: Mex 001 800 738 7610  
 Tel: DE +49 6571 105 380 • Tel: CH +86 10 8565 4566

Gilbarco® and Gasboy® is a trademark of Gilbarco Inc.  
 Wayne® and Tokheim® is a trademark of Dover Corporation.  
 Bennet® is a trademark of Bennet Pump Company

© 2021 Franklin Fueling Systems. All Rights Reserved.

FFS-0390 09-21