



Pressure activated, automatic shut-off nozzle for full-service, self-service and unattended stations.

- XS[®] E85 Nozzle shuts off when:
 - the pump shuts off.
 - the gas tank is full.
 - the lever is opened before the pump is turned on.
 - the leak detector has not completed the test cycle.
- Aluminum body, spout, and internal parts are nickel plated to prevent contamination and corrosion from Ethanol blends.
- *StreamShaper[®]* reduces turbulence for straighter fuel flow and less splash back spillage.
- Compatible with unleaded and all Ethanol blends through E-85.
- Nozzle comes with smooth full grip guard.
- A reinforced stainless steel spout bushing keeps the spout tip round and acts as a captive fastener to prevent tip-end sensor damage.
- Nozzle is equipped with a unique Flo-Stop[®] device that shuts off the nozzle if it falls from the fill tank or raises above the horizontal.
- All seals are UL approved fluorocarbon compounds to prevent deterioration from Ethanol blends.
- New poppet seal design in conjunction with new tilt poppet design improves flow control (“to-the-penny” dispensing) and provides enhanced endurance over time.



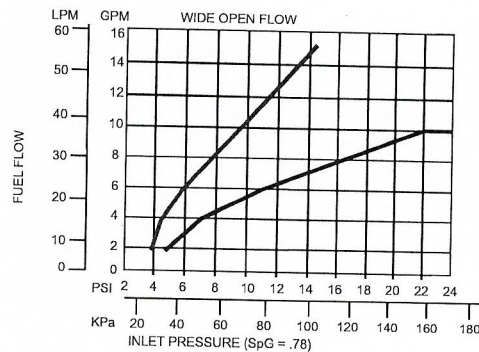
New Unleaded Nozzles

MODEL NO.	DESCRIPTION	SHIPPING WEIGHT LBS (KG)
659504	with Three Notch Hold Open Clip	3.0 (1.3)
659508	without Three Notch Hold Open Clip	3.0 (1.3)
659559	with Three Notch Hold Open Clip and Waffle Splash Guard	2.9 (1.3)
659589	with Single Notch Hold Open Clip, POPD [®] S Full Grip Guard and Waffle Splash Guard	3.0 (1.3)
6595100N [^]	with Three Notch Hold Open Clip, POPD [®] S Full Grip Guard, Waffle Splash Guard and Sightglass	3.0 (1.3)
6595119	with Three Notch Hold Open Clip and POPD [®] H Full Grip Guard	3.0 (1.3)
6595146	with Three Notch Hold Open Clip, POPD [®] H Full Grip Guard and Waffle Splash Guard	3.0 (1.3)
6595179	with Single Notch Hold Open Clip and Waffle Splash Guard	3.0 (1.3)
6595181	with Three Notch Hold Open Clip, POPD [®] H Full Grip Guard and 1807 Waffle Splash Guard	3.0 (1.3)
E1488404	with Two Notch Hold Open Clip, EZ Lever and Mate Guard	3.0 (1.2)
E1488459	with Two Notch Hold Open Clip, EZ Lever, Mate Guard and Waffle Splash Guard	3.0 (1.2)
E1488495	with Two Notch Hold Open Clip, EZ Lever, POPD [®] S Mate Guard and Waffle Splash Guard	3.0 (1.2)
1488404	with Two Notch Hold Open Clip, EZ Lever and Full Grip Guard	3.0 (1.2)

[^] NOT LISTED

Construction

Body	Die cast aluminum with Electroless Nickel Plating
Seals	Fluorocarbon
Handguard	Polymer
Packing	Double O-ring seal protected by fiber reinforced Teflon [®]
Lever	Polymer
Inlet	3/4" / 19 mm NPT



WARNING: Cancer and Reproductive Harm - www.P65Warnings.ca.gov

**Husky**
GENERAL FUELING PRODUCTS**XS®****E85 PHG Nozzles**

Pressure activated, automatic shut-off nozzle for full-service, self-service and unattended stations.

Dimensions and System Options

Safe-T-Breaks®

MODEL NO.	DESCRIPTION
006360 [^]	¾" F x ¾" F Reconnectable E85 Safe-T-Break®
006273	¾" F x ¾" F Non-Reconnectable E85 Safe-T-Break®

[^] NOT UL LISTED

Swivels

MODEL NO.	DESCRIPTION
006350 [^]	¾" M x ¾" F Multi-plane E85 Swivel

[^] NOT UL LISTED

Spouts

MODEL NO.	DESCRIPTION
006207	Unleaded E85 Spout Assembly

Pressure/Vacuum Vents

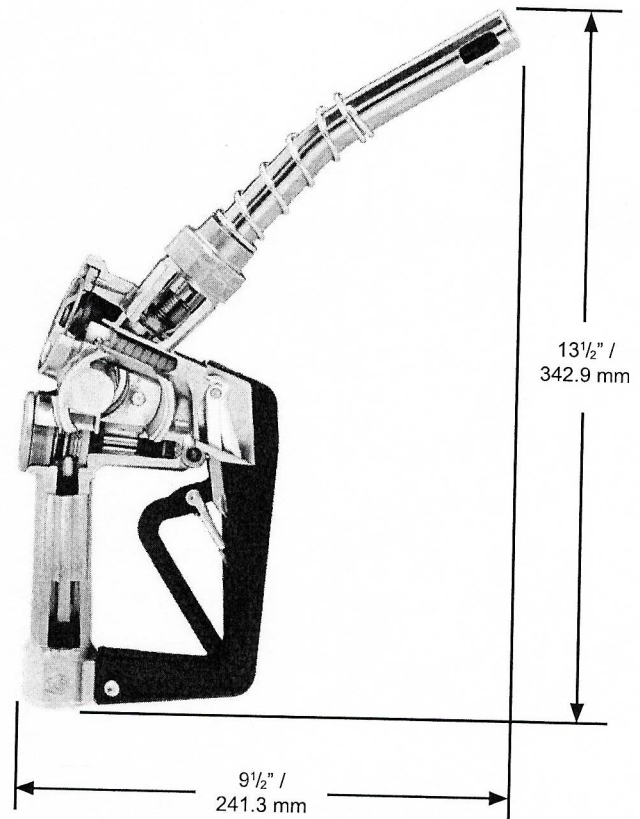
MODEL NO.	DESCRIPTION
004620	2" Slip-On Pressure Vacuum Vent
004885	2" Thread-On Pressure Vacuum Vent - NPT
005885	2" Thread-On Pressure Vacuum Vent with Internal Screen - NPT

Accessories, Testing and Maintenance

MODEL NO.	DESCRIPTION
003593	Hold Open Clip Kit
007490	Internal Flo-Equalizer® - 10 gpm / 37.9 Lpm
007089	Nozzle Service Kit
004951	Spout Nut
000397	Unleaded Spout Gauge

Guards

MODEL NO.	DESCRIPTION
003376	Black Handle Guard
004145	Full Grip Guard
001806	Full Grip Reguard
005494	Lever Guard
003440	Mate Easy-on Package
003795	Mate Guard
006628	POPD® Clear Cover
006665	POPD® Full Grip Guard
007205	POPD® Full Grip Reguard
007815	POPD® Mate Guard
001506	Protection Package
001809	Reguard Protection Package
001808	Waffle Splash Guard



2325 Husky Way • Pacific, MO 63069
 (800) 325-3558 • Fax (636) 825-7300
www.husky.com • sales@husky.com

MADE IN THE U.S.A. 