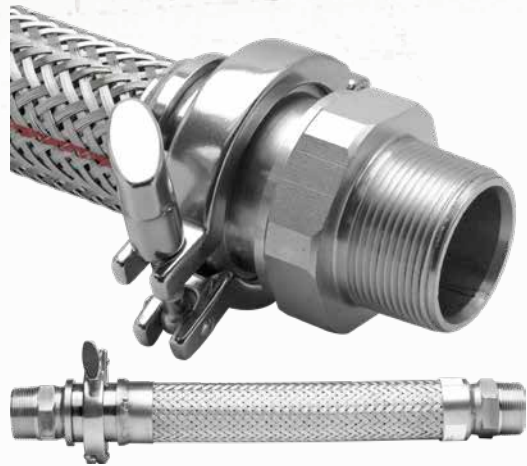


FLEXIBLE CONNECTORS

FLEX-ING® brand flexible connectors have become the industry standard and benchmark for quality as a means to easily connect a pipework system to other system components such as submersible pumps or shear valves. As an integral part of any system, installers enjoy how easy they make connections in tight spaces while station owners have come to depend on their durability and their simplification of regular maintenance. End fittings are available in either nickel plated steel or stainless steel construction. FLEX-ING® flexible connectors offer multiple diameter and length options as well as a wide offering of end fitting connections so you can create the right flexible connector to fit virtually any application.



HIGHLIGHTS

- Standard on all flexible connectors, the stainless steel corrugated fuel contact layers feature a thick construction and gain flexibility from having more corrugations per foot rather than thinner walls.
- Enclosing the corrugated fuel contact layer is a stainless steel braid that is manufactured from only high-grade stainless steel.
- Standard end fittings are nickel plated steel with stainless steel construction options available on any flexible connector that does not include a swivel end fitting.
- Available in a multitude of end connections to ensure the right fit for any application - including tees, elbows, and fiberglass transitions.
- All metal construction means one flexible connector for both above and below ground applications (may not be direct buried).
- Schedule 80 hex end fittings protect against deformation of the ends during installation.
- The EZ FIT union style coupling system is specifically designed to make connections in confined spaces simple and tight.
- EZ FIT union style couplings come complete with couplers and gaskets (flange only fittings excluded).

End Fitting Options

- | | |
|------------------------------|---------------------------|
| 1 EZ Fit flange only* | 5 Male swivel |
| 2 EZ Fit male* | 6 Female swivel |
| 3 EZ Fit female* | 7 Hex male fixed (NPT)* |
| 4 EZ Fit fiberglass (glued)* | 8 Hex female fixed (NPT)* |

SPECIFICATIONS

- Meets USA NFPA 30-A fire code requirements.
- Outer shell: 304 stainless steel
- Inner core: 321 stainless steel
- End fittings: Nickel plated steel or stainless steel.
- 100% pressure tested to 100 PSI to assure quality.

Approvals/Certifications

- UL Only those fuels formulated in accordance with 40CFR80, "Regulation of Fuels and Fuel Additives," and meeting the following ASTM fuel specifications and blend limits:
 - Diesel with or without biodiesel blends up to 5% (B5)
 - Diesel with biodiesel blends between 6% - 20% (B6 - B20)
 - Gasoline with ethanol blends up to 10% (E10)
 - High-blend ethanol, with ethanol/gasoline blends from 51% to 83% (E51 - E83) commercially sold as E85 Diesel with or without biodiesel blends up to 5% (B5)
 - Mid-range ethanol, with ethanol/gasoline blends from 11% to 50% (E11 - E50)
- UL 2039 approved for 50 psi working pressure.

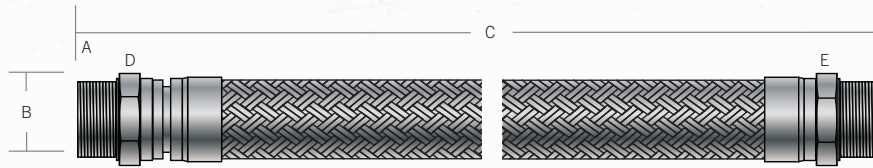
- | | |
|-----------------------------|--|
| 9 Hex male fixed (BSPT)* | 13 Flat faced round flange* |
| 10 Hex male swivel (BSPT)* | 14 Raised faced round flange* |
| 11 90° male swivel | <i>*Also available in stainless steel.</i> |
| 12 EZ Fit tee flanges only* | |



ORDERING INFORMATION

Use the diagrams below along with the Ordering Guide at the bottom to help you build your flexible connector model numbers.

Ordering Options Diagram



End Fitting Options



*These models feature full stainless steel construction.

Ordering Guide

Complete flexible connector part numbers have a specific order and are created using the following guidelines. Please note that full stainless steel models are available on any flexible connector that does not include swivel end fittings.

A B X C D X E

A = Product Type

FF = If either of the end connections are any type of swivel or EZ Fit, this option must be selected.

FFUL = If both end connections are fixed (non-swivel or EZ Fit), this option must be selected.

B = Hose Diameter

07 = 3/4"

10 = 1"

15 = 1 1/2"

20 = 2"

30 = 3"

40 = 4"

C = Overall Length in Inches

Use two-digit format

Examples:

FF20X18M346XHM = Flexible connector with swivel end fitting(s), 2" hose diameter, 18" overall length, with one male swivel end fitting and one fixed Hex male end fitting.

FF20X18SSEZMXSSHM = Flexible connector, 2" hose diameter, 18" overall length, with one stainless steel EZ Fit male end fitting and one stainless steel fixed hex male end fitting, full stainless steel construction.

Flexible Connectors with Differing Hose and End Fitting Diameters

All end fittings are, by default, the same diameter as the hose. If you require a flexible connector where the end fitting diameter does not match the hose diameter, the size must be indicated numerically in front of the corresponding fitting as in the following example.

Example: FFUL15X18HMX2HM = Flexible connector with fixed end fittings, 1 1/2" hose diameter, 18" overall length, with one 1 1/2" hex male fixed end fitting, and one 2" hex male fixed end fitting.

D & E = End Fitting Options (non-swivel options available in stainless steel)

EZ = EZ FIT flange only (stainless steel)

EZM = EZ FIT male NPT (**SSEZM** = stainless steel)

EZF = EZ FIT female NPT (**SSEZF** = stainless steel)

EZFG = EZ FIT fiberglass glue pipe (**SSEZFG** = stainless steel)

M346 = Male swivel NPT

F346 = Female swivel NPT

HM = Hex male fixed NPT (**SSHM** = stainless steel)

HF = Hex female fixed NPT (**SSHF** = stainless steel)

BT = Hex male fixed BSPT (**SSBT** = stainless steel)

BTS = Male swivel BSPT

MS90 = 90° with male swivel NPT

EZFFT = EZ Fit Tee (**SSEZFFT** = stainless steel)

SSFF = Flat faced round flange (stainless steel only)

SSRF = Raised faced round flange (stainless steel only)

Note: Each EZ FIT union style coupling comes complete with couplers and gaskets.

Rules:

- 1) End fitting diameters can not be smaller than hose diameters.
- 2) Only one hose fitting per flexible connector can be of a different diameter than the hose diameter.
- 3) End fitting diameter must only be one size larger than hose (1" hose could use 1 1/2" fitting, 1 1/2" hose could use 2" fitting, etc.).
- 4) EZ Fit end fittings are available in 1", 2", and 3" only.
- 5) Additional end fitting types are available.

Please contact Customer Service with inquiries.

ORDERING INFORMATION CONTINUED

Flexible Connector Common Configurations (Nickel Plated Steel End Fittings)

All include NPT threads unless otherwise specified as BSPT.

Model	Description
FFUL15X18HMXHM	1½" diameter flexible connector, hex male by hex male, 18" OAL
FFUL20X18HMXHM	2" diameter flexible connector, hex male by hex male, 18" OAL
FF10X18HMXM346	1" diameter flexible connector, hex male by male swivel, 18" OAL
FF15X12BTXBTS	1½" diameter flexible connector, hex male (BSPT) by male swivel (BSPT), 12" OAL
FF15X12HMXM346	1½" diameter flexible connector, hex male by male swivel, 12" OAL
FF15X12M346X2F	1½" diameter flexible connector, male swivel by 2" hex female, 12" OAL
FF15X12M346XEZ	1½" diameter flexible connector, male swivel by EZ Fit flange only, 12" OAL
FF15X12SSHMXEZ	1½" diameter flexible connector, stainless steel hex male by EZ Fit flange only, 12" OAL
FF15X15HMXM346	1½" diameter flexible connector, hex male by male swivel, 15" OAL
FF15X16BTXBTS	1½" diameter flexible connector, hex male (BSPT) by male swivel (BSPT), 16" OAL
FF15X16HMXM346	1½" diameter flexible connector, hex male by male swivel, 16" OAL
FF15X18EZMXEZFFT	1½" diameter flexible connector, EZ Fit male by EZ Fit tee, 18" OAL
FF15X18EZMXEZM	1½" diameter flexible connector, EZ Fit male by EZ Fit male 18" OAL
FF15X18HMXEZM	1½" diameter flexible connector, hex male by EZ Fit male, 18" OAL
FF15X18HMXM346	1½" diameter flexible connector, hex male by male swivel, 18" OAL
FF15X18M346X2F	1½" diameter flexible connector, male swivel by 2" hex female, 18" OAL
FF15X18M346XEZM	1½" diameter flexible connector, male swivel by EZ Fit male, 18" OAL
FF15X24HMXM346	1½" diameter flexible connector, hex male by male swivel, 24" OAL
FF20X12HMXM346	2" diameter flexible connector, hex male by male swivel, 12" OAL
FF20X15HMXM346	2" diameter flexible connector, hex male by male swivel, 15" OAL
FF20X18HMXEZM	2" diameter flexible connector, hex male by EZ Fit female, 18" OAL
FF20X18HMXM346	2" diameter flexible connector, hex male by male swivel, 18" OAL
FF20X18M346XF	2" diameter flexible connector, male swivel by hex female, 18" OAL
FF20X24BTXBTS	2" diameter flexible connector, hex male (BSPT) by male swivel (BSPT), 24" OAL
FF20X24HMXM346	2" diameter flexible connector, hex male by male swivel, 24" OAL
FF20X24HMXMS90	2" diameter flexible connector, hex male by 90° male swivel, 24" OAL

Flexible Connector Common Configurations (Stainless Steel End Fittings)

All include NPT threads unless otherwise specified as BSPT.

Model	Description
FF15X12SSHMXSSTM	1½" diameter stainless steel flexible connector, hex male by hex male, 12" OAL
FF15X18SSHMXSSTM	1½" diameter stainless steel flexible connector, hex male by hex male, 18" OAL
FF15X24SSHMXSSTM	1½" diameter stainless steel flexible connector, hex male by hex male, 24" OAL
FF15X12SSHMXEZ	1½" diameter stainless steel flexible connector, hex male by EZ Fit flange only, 12" OAL
FF15X18SSHMXEZ	1½" diameter stainless steel flexible connector, hex male by EZ Fit flange only, 18" OAL
FF15X24SSHMXEZ	1½" diameter stainless steel flexible connector, hex male by EZ Fit flange only, 24" OAL
FF15X12EZXSSEZM	1½" diameter stainless steel flexible connector, EZ Fit male by EZ Fit flange only, 12" OAL
FF15X18EZXSSEZM	1½" diameter stainless steel flexible connector, EZ Fit male by EZ Fit flange only, 18" OAL
FF15X24EZXSSEZM	1½" diameter stainless steel flexible connector, EZ Fit male by EZ Fit flange only, 24" OAL
FF15X18SSHMXSSEZM	1½" diameter stainless steel flexible connector, hex male by EZ Fit male, 18" OAL
FF20X12SSHMXSSTM	2" diameter stainless steel flexible connector, hex male by hex male, 12" OAL
FF20X18SSHMXSSTM	2" diameter stainless steel flexible connector, hex male by hex male, 18" OAL
FF20X12SSHMXEZ	2" diameter stainless steel flexible connector, hex male by EZ Fit flange only, 12" OAL
FF20X18SSHMXEZ	2" diameter stainless steel flexible connector, hex male by EZ Fit flange only, 18" OAL
FF20X12EZXSSEZM	2" diameter stainless steel flexible connector, EZ Fit male by EZ Fit flange only, 12" OAL
FF20X18EZXSSEZM	2" diameter stainless steel flexible connector, EZ Fit male by EZ Fit flange only, 18" OAL
FF20X12SSHMXSSEZM	2" diameter stainless steel flexible connector, hex male by EZ Fit male, 12" OAL
FF20X18SSHMXSSEZM	2" diameter stainless steel flexible connector, hex male by EZ Fit male, 18" OAL

ORDERING INFORMATION CONTINUED

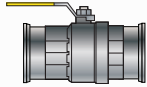
EZ Fit Accessories



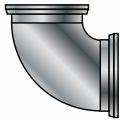
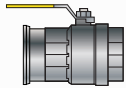
Model	Description
EZFITXEZFIT	2" EZ Fit × EZ Fit connector, stainless steel



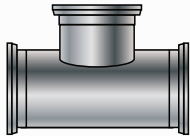
Model	Description
EZBLANK	2" EZ Fit blank, stainless steel
EZ30BLANK	3" EZ Fit blank, stainless steel



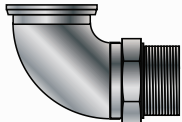
Model	Description
EZXEXZ20BV	2" EZ Fit × 2" EZ Fit ball valve
EZX20BV	2" EZ Fit × 2" ball valve, brass
EZXEXZ20BVSS	2" EZ Fit × 2" EZ Fit ball valve, stainless steel
EZX20BVSS	2" EZ Fit × 2" ball valve, stainless steel
EZ30XEZ30X30BV	3" EZ Fit × 3" EZ Fit ball valve, brass
EZ30XEZ30X30SSBV	3" EZ Fit × 3" EZ Fit ball valve, stainless steel



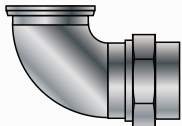
Model	Description
EZXEZ90	2" EZ Fit × 2" EZ Fit 90° elbow, stainless steel
EZ30XEZ3090	3" EZ Fit × 2" EZ Fit 90° elbow, stainless steel



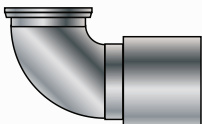
Model	Description
EZXEXEZTEE	2" EZ Fit × 2" EZ Fit × 2" EZ Fit 1½" tee, stainless steel
EZ20XEZ20TEEFF	2" EZ Fit × 2" EZ Fit × 2" EZ Fit, 2" tee, stainless steel
EZ30XEZ30XEZ30T	3" EZ Fit × 3" EZ Fit × 3" EZ Fit tee, stainless steel



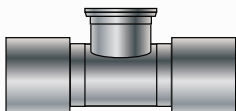
Model	Description
EZX15HM90	2" EZ Fit × 1½" hex male 90° elbow, nickel plated
EZX20HM90	2" EZ Fit × 2" hex male 90° elbow, nickel plated
EZX20HM90SS	2" EZ Fit × 2" hex male 90° elbow, stainless steel
EZX30M90	3" EZ Fit × 3" male 90° elbow, nickel plated



Model	Description
EZX20HF90	2" EZ Fit × 2" female 90° elbow, nickel plated
EZX30F90	3" EZ Fit × 3" female 90° elbow, nickel plated

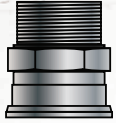


Model	Description
EZX20FG90	2" EZ Fit × 2" fiberglass glue pipe 90° elbow, nickel plated
EZX30FG90	3" EZ Fit × 3" fiberglass glue pipe 90° elbow, nickel plated

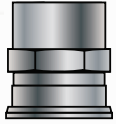


Model	Description
EZX20FGTEE	2" EZ Fit × 2" fiberglass glue pipe tee, nickel plated
EZX30FGTEE	3" EZ Fit × 3" fiberglass glue pipe tee, nickel plated

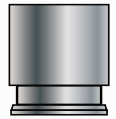
ORDERING INFORMATION CONTINUED



Model	Description
EZX15HMPL	2" EZ Fit × 1½" hex male, nickel plated
EZX15HMSS	2" EZ Fit × 1½" hex male, stainless steel
EZX20HMPL	2" EZ Fit × 2" hex male, nickel plated
EZX20HMSS	2" EZ Fit × 2" hex male, stainless steel
EZX30MP	3" EZ Fit × 3" male, nickel plated



Model	Description
EZX15HFSS	2" EZ Fit × 1½" hex female, stainless steel
EZX20HFPL	2" EZ Fit × 2" hex female, nickel plated
EZX20HFSS	2" EZ Fit × 2" hex female, stainless steel



Model	Description
EZX20FGPL	2" EZ Fit × 2" fiberglass glue pipe, nickel plated
EZX20FGSS	2" EZ Fit × 2" fiberglass glue pipe, stainless steel
EZX30FGSS	3" EZ Fit × 3" fiberglass glue pipe, nickel plated



Model	Description
EZ10CLAMP	1" EZ Fit clamp
EZCLAMP	2" EZ Fit clamp
EZ30CLAMP	3" EZ Fit clamp



Model	Description
407493001	1" EZ Fit gasket
407493002	2" EZ Fit gasket
407493003	3" EZ Fit gasket

FLEXIBLE CONNECTORS EZ FIT SYSTEM

By stocking just a few fittings and the right kind of FLEX-ING® brand flexible connectors, you can transform your inventory into a versatile offering that's ready to handle the real-world demands of contractors. The EZ FIT system can help reduce your inventory and ensure you have the right solution on-hand for any situation.

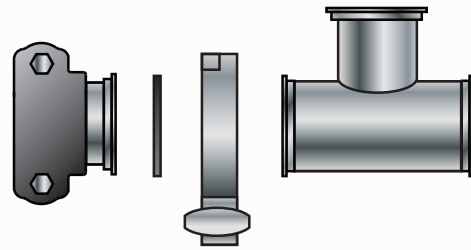
HIGHLIGHTS

How EZ FIT Connections Work

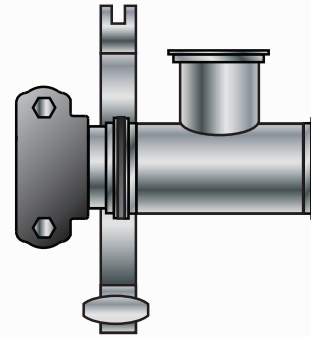
A variety of products come with integrated flange fitting options. These flanged fittings are mated together using a single EZ FIT clamp and gasket. These connections are watertight and allow easy connection during installation or fast reconnection for service and maintenance.



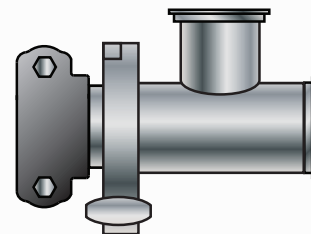
Step 1: Flanged components like fittings and flexible connectors can be connected using a single EZ FIT clamp and gasket.



Step 2: The EZ FIT gasket fits in between the two flanged components to create a watertight seal while the EZ FIT clamp unhinges around the components.



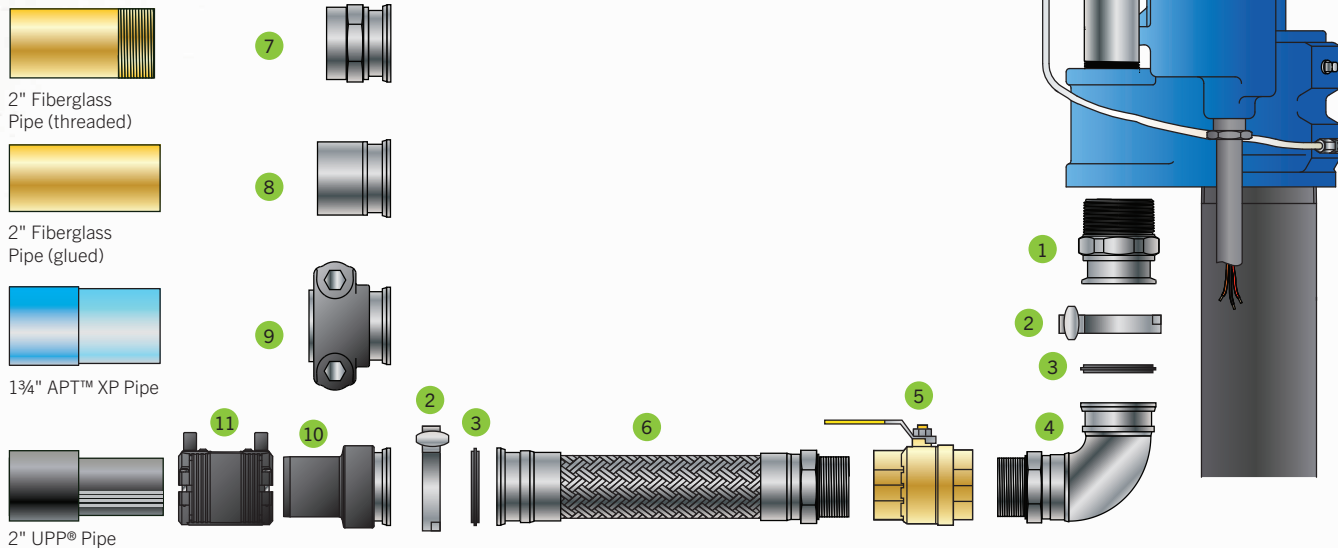
Step 3: Close the single-pin EZ FIT clamp around the flanged edges of both components and tighten the wing nut to seal them together.



SPECIFICATIONS

Submersible Turbine Pump EZ FIT Connections

Use the FLEX-ING® flexible connector EZ FIT system to quickly and easily connect typical pipework systems to the STP manifold.



Components

Item	Model	Description
1	EZX20HMPL	2" EZ FIT flange x hex male adapter
2	EZCLAMP	EZ FIT clamp
3	407493002	2" EZ FIT gasket (one required per EZ FIT connection)
4	EZX20HM90	2" EZ FIT 90° elbow flange x hex male adapter
5	BV200FPBRASS	2" ball valve
6	FF20XYHMXEZ*	2" flexible connector, EZ FIT flange x hex male
7	EZX20HFPL	Quick release threaded hex fitting for 2" fiberglass pipe
8	EZX20FGPL	Quick release glued fitting for 2" fiberglass pipe
9	QRS-XP-175-200	Quick release fitting for 1 3/4" APT™ XP Pipe
10	90-063 QL-U	Quick release termination fitting for 2" UPP® pipe
11	02-63-L-U	2" electrofusion welding coupler

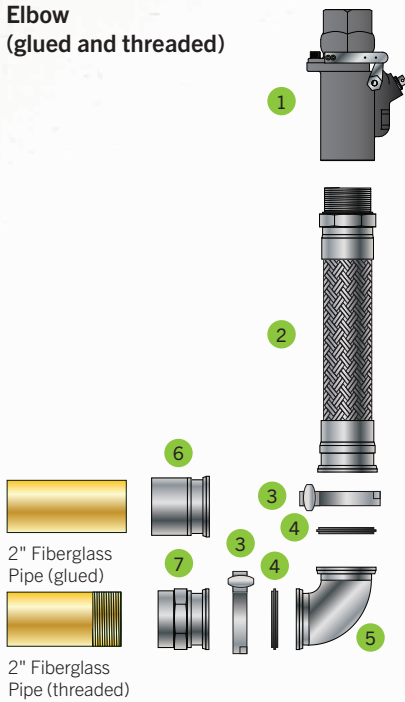
*For YY, enter flexible connector length in inches.

SPECIFICATIONS CONTINUED

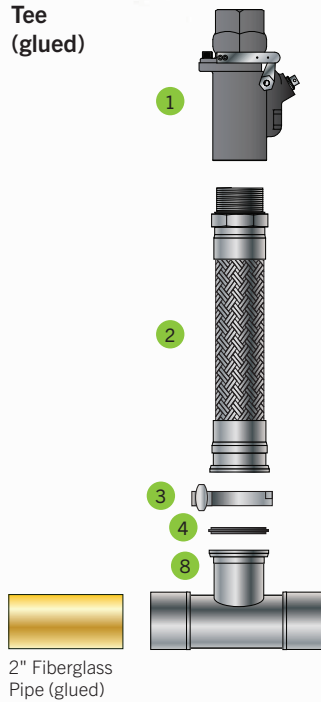
2" Fiberglass Pipe Shear Valve Risers

Use the FLEX-ING® flexible connector EZ FIT system to quickly and easily connect 2" fiberglass pipe (both glued and threaded) to the shear valve riser.

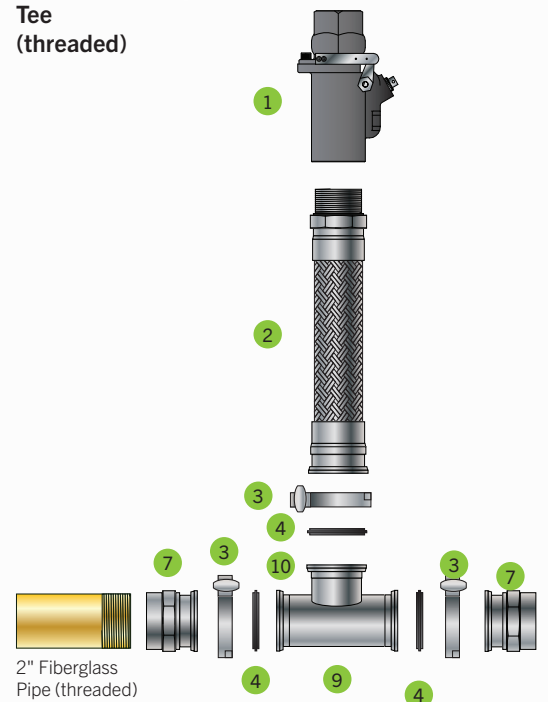
Elbow (glued and threaded)



Tee (glued)



Tee (threaded)



Components

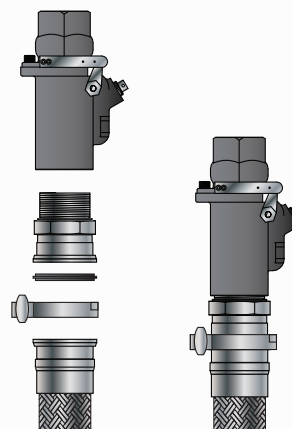
Item	Model	Description
1	662501902	1½" double poppet shear valve, female
2	FF15XYHHMZE*	1½" flexible connector, EZ FIT flange x hex male
3	EZCLAMP	EZ FIT clamp
4	407493002	2" EZ FIT gasket (one required per EZ FIT connection)
5	EZXEZ90	2" EZ FIT 90° elbow flange x flange
6	EZX20FGPL	Quick release glued fitting for 2" fiberglass pipe
7	EZX20HFPL	Quick release threaded hex fitting for 2" fiberglass pipe
8	EZX20FGTEE	Quick release glued tee fitting for 2" fiberglass pipe
9	EZ20XEZ20TEEFF	Quick release tee flange fitting for 2" connections

*For YY, enter flexible connector length in inches.

Extra EZ FIT Connection

If you require an additional point of connection, choose an EZ FIT male connection (EZM) instead of the hex male (HM). This comes complete with the EZ FIT clamp, gasket, and threaded male connection pre-assembled on the flexible connector. This gives you an additional higher disconnection point that is closer to grade level, making it easier for technicians to access for maintenance. It also provides an another swivel point for easier installation.

Example: FF15XYEZXMEZ



SPECIFICATIONS CONTINUED

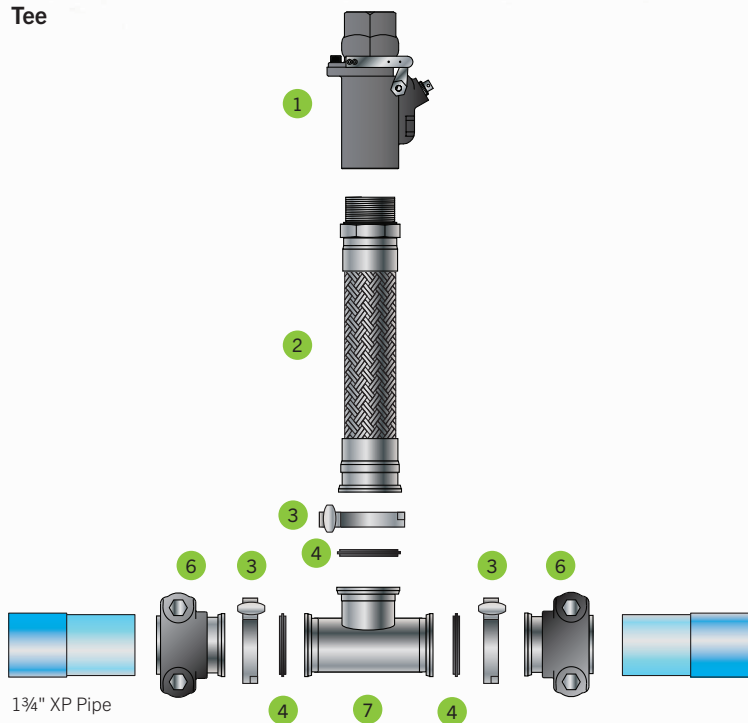
1 3/4" APT™ XP Pipe Shear Valve Risers

Use the FLEX-ING® flexible connector EZ FIT system to quickly and easily connect 1 3/4" APT™ XP pipe to the shear valve riser.

Elbow



Tee



Components

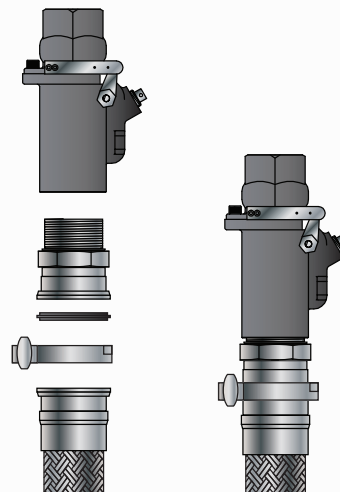
Item	Model	Description
1	662501902	1 1/2" double poppet shear valve, female
2	FF15XYHMXEZ*	1 1/2" flexible connector, EZ FIT flange x hex male
3	EZCLAMP	EZ FIT clamp
4	407493002	2" EZ FIT gasket (one required per EZ FIT connection)
5	EZXEZ90	2" EZ FIT 90° elbow flange x flange
6	QRS-XP-175-200	Quick release fitting for 1 3/4" APT™ XP Pipe
7	EZ20XEZ20TEEFF	Quick release tee flange fitting for 2" connections

*For YY, enter flexible connector length in inches.

Extra EZ FIT Connection

If you require an additional point of connection, choose an EZ FIT male connection (EZM) instead of the hex male (HM). This comes complete with the EZ FIT clamp, gasket, and threaded male connection pre-assembled on the flexible connector. This gives you an additional higher disconnection point that is closer to grade level, making it easier for technicians to access for maintenance. It also provides an another swivel point for easier installation.

Example: FF15XYEZXMXEZ

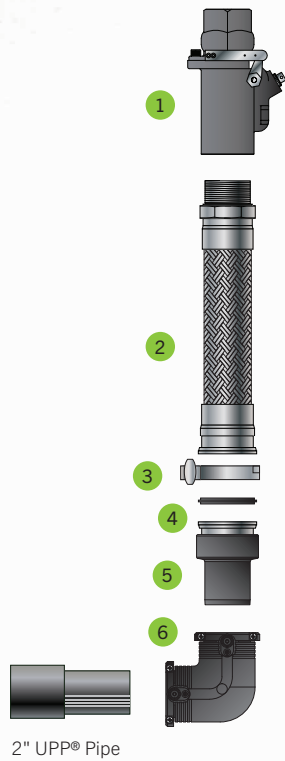


SPECIFICATIONS CONTINUED

2" UPP® Pipe Shear Valve Risers

Use the FLEX-ING® flexible connector EZ FIT system to quickly and easily connect 2" UPP® pipe to the shear valve riser.

Elbow



Tee



Components

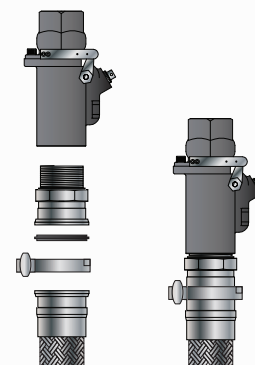
Item	Model	Description
1	662501902	1½" double poppet shear valve, female
2	FF15XYHHMXEZ*	1½" flexible connector, EZ FIT flange x hex male
3	EZCLAMP	EZ FIT clamp
4	407493002	2" EZ FIT gasket (one required per EZ FIT connection)
5	90-063 QL-U	Quick release termination fitting for 2" UPP® pipe
6	03-063-EIF-U	2" electrofusion 90 elbow fitting
7	02-063-L-U	2" electrofusion coupler
8	08-063-EIF-U	2" electrofusion tee fitting

*For YY, enter flexible connector length in inches.

Extra EZ FIT Connection

If you require an additional point of connection, choose an EZ FIT male connection (EZM) instead of the hex male (HM). This comes complete with the EZ FIT clamp, gasket, and threaded male connection pre-assembled on the flexible connector. This gives you an additional higher disconnection point that is closer to grade level, making it easier for technicians to access for maintenance. It also provides an another swivel point for easier installation.

Example: FF15XYEZXMXEZ

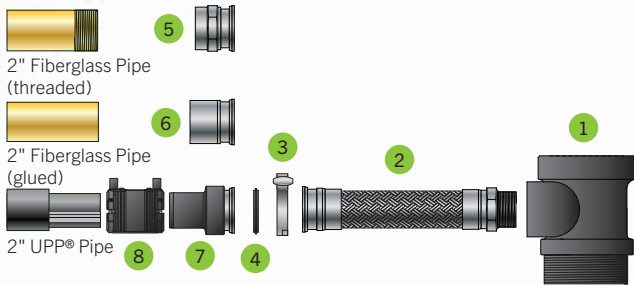


SPECIFICATIONS CONTINUED

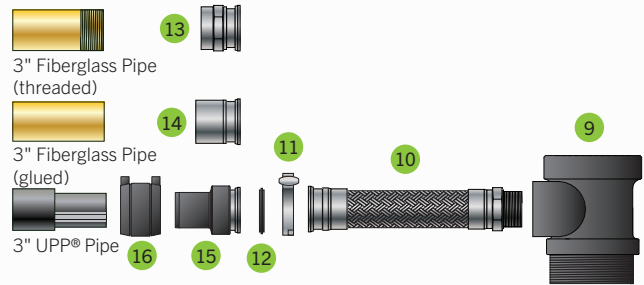
2" and 3" Vent Line EZ FIT Connections

Use the FLEX-ING® flexible connector EZ FIT system to quickly and easily connect 2" and 3" UPP® pipe or fiberglass pipe to the extractor vent valve.

2" Vent Line



3" Vent Line



Components

Item	Model	Description
1	31040011	4" x 4" x 2" extractor vent valve
2	FF20XYHMXEZ*	2" flexible connector, EZ FIT flange x hex male
3	EZ30 CLAMP	2" EZ FIT clamp
4	407493002	2" EZ FIT gasket (one required per EZ FIT connection)
5	EZX20HFPL	Quick release threaded hex fitting for 2" fiberglass pipe
6	EZX20FGPL	Quick release glued fitting for 2" fiberglass pipe
7	90-063 QL-U	Quick release fitting for 2" fiberglass pipe
8	02-63-L-U	2" electrofusion welding coupler
9	31140011	4" x 4" x 3" extractor vent valve
10	FF30XYHMXEZ*	3" flexible connector, EZ FIT flange x hex male
11	EZ30 CLAMP	EZ FIT clamp
12	407493003	3" EZ FIT gasket (one required per EZ FIT connection)
13	EZ30X30FP	Quick release threaded hex fitting for 3" fiberglass pipe
14	EZX30FGPL	Quick release glued fitting for 3" fiberglass pipe
15	90-090 QL-U	Quick release fitting for 3" fiberglass pipe
16	02-90-U	3" electrofusion welding coupler

*For YY, enter flexible connector length in inches.

FLEX-ING® FIREFLEX™ FLEXIBLE CONNECTOR ISOLATION ACCESSORIES

These protective sleeves isolate piping to prevent cathodic corrosion and the maintenance it can require. They are constructed with durable, state-of-the-art engineered polymers which are resistant to fuels and other corrosive materials to provide an extended service life.

Yellow Jacket Easy Fit Boot

The Yellow Jacket Easy Fit Boot features a Velcro™ seal making it easy to install on existing piping systems or new installations.

Model	Description
YJVSLEEVE	3½" × 30" Yellow Jacket Easy Fit Boot with Velcro™ seal
YJVSLEEVE25	3½" × 25' Yellow Jacket Easy Fit Boot with Velcro™ seal
YJVSLEEVE50	3½" × 50' Yellow Jacket Easy Fit Boot with Velcro™ seal
YJVSLEEVEII	3½" × 30" Yellow Jacket Easy Fit Boot with Velcro™ seal, adhesive, straps and two mounting collars 3" × 30"

Note: For 1½" and 2" dia flex connectors



Yellow Jacket Boot

The Yellow Jacket Boot has the ability to be pulled back while the connection is being made and then slide back in place to seal off. Utilizes the Yellow Jacket heat shrink wrap.

Model	Description
YJ32BOOT	3½" ID × 30" Yellow Jacket Boot
YJ32BOOTKIT-40	3½" ID × 40" Yellow Jacket Boot, adhesive, straps, and two mounting collars

Note: For 1½" and 2" dia flex connectors



Yellow Jacket Heat Shrink Sleeve

Model	Description
YJHS03	3" × 36" Yellow Jacket heat shrink sleeve
YJHS20	3" × 20' Yellow Jacket heat shrink sleeve
YJHS50	3" × 50' Yellow Jacket heat shrink sleeve

Note: For 1½" and 2" dia flex connectors



Heat Shrink Flexwrap

Model	Description
FLEXWRAP47X03	4.7" × 3' heat shrink sleeve

Note: For 3" flex connectors

Velcro™ is a trademark of Velcro Industries B.V.