
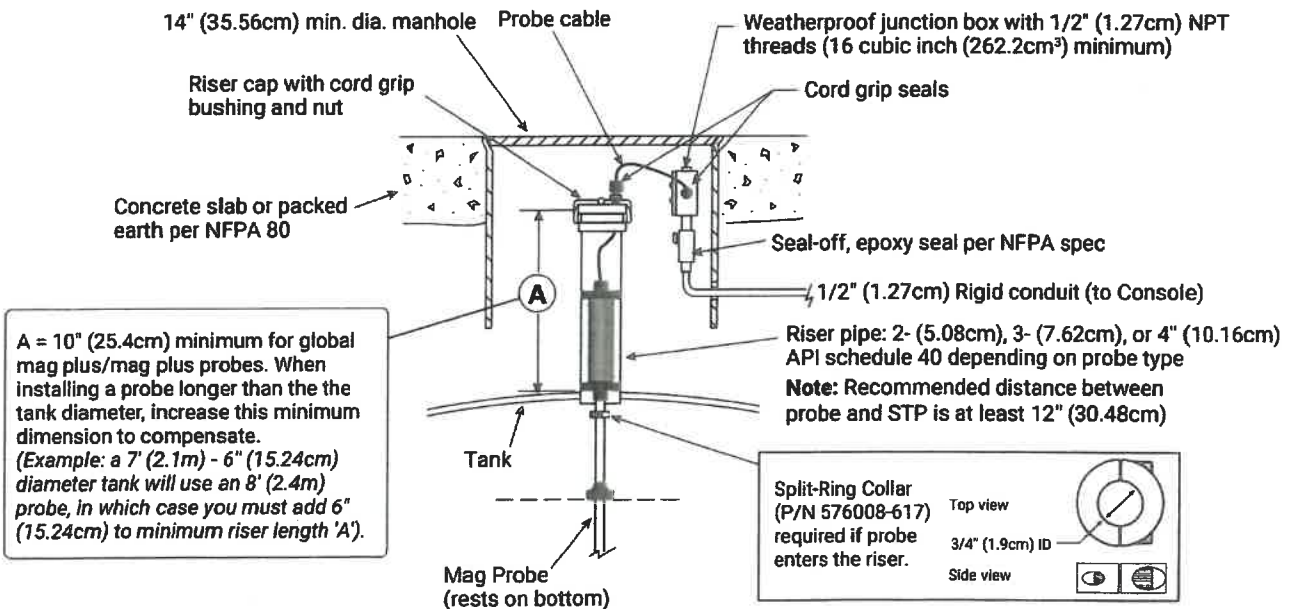


<b>Probe Description &amp; Product Application</b>	<b>Stainless Steel Mag Plus In-Tank Probe for Monitoring Alternative Fluids with No Water Detection in both USTs and ASTs</b>					
<b>Specific Products Monitored / Product Compatibility</b>	<b>Part # &amp; Description</b>	<b>Approved Products</b>	<b>Monitoring Functionality Options</b>			
	<b>Leak Detection / BIR - Accuchart Probes</b>		Alcohol (<=100% Alcohol)*	A. 0.1 GPH static in-tank testing for USTs only		
	1. 846397-4XX Stainless Steel (SS) In-Tank Probe with High Grade Polymer (HGP) Canister with No Water Detection & 0.1 GPH Testing Capability, UL		Fuel Oil #6	B. 0.2GPH static in-tank testing for USTs only		
	2. 846397-5XX SS In-Tank Probe with HGP Canister with No Water Detection & 0.2GPH Testing Capability, UL		Propylene Glycol	C. 0.2 GPH Continuous Statistical Leak Detection (CSLD) for USTs only		
	3. 846391-4XX SS In-Tank Probe with Aluminum (AL) Canister with No Water Detection & 0.1 GPH Testing Capability, UL		Methyl Alcohol*			
	4. 846391-5XX SS In-Tank Probe with AL Canister with No Water Detection & 0.2 GPH Testing Capability, UL		Methanol (<=100% Alcohol)*	D. No Leak Detection / Inventory Only for USTs & ASTs		
	<b>No Leak Detection/Inventory Only Probes</b>		ETBE (<=100% Ether)	E. BIR – Accuchart for USTs only		
	1. 846397-6XX SS with HGP Canister with No Water Detection & No Leak Detection/ Inventory Only, UL		Ethanol (<=100% Alcohol) includes E85*	* Limited to E85 for ATEX probes		
	2. 846391-6XX SS with AL Canister with No Water Detection & No Leak Detection/ Inventory Only, UL		MTBE (<=100% Ether)			
			Used Oil			
		Ethylene Glycol				
		Windshield Washer Fluid				
		DEF (AdBlue)				
<b>Console Compatibility</b>	<b>Maximum Probes / Console</b>	<b>Probe Interface Modules</b>				
		<b>Module Part #</b>	<b>Module Description</b>	<b># of Modules per Console</b>	<b># of Probe Inputs per Module</b>	<b>Availability</b>
TLS-450PLUS (8600 Series) with TLS-XB installed (3 max per system)	64 (32 with BIR)	332812-001	Universal Sensor Module (USM) Interface for Probes, Sensors, and DPLLD	Up to 4	16	Sold Separately (either Factory Installed or as a Spare Module)
TLS4i (8601 Series)	4	No module required, probe input capability factory installed				
TLS4c (8601 Series)	2					
TLS-350/R/PLUS	16	329356-002	4-Input Probe Interface Module	4	4	Sold Separately (either Factory Installed or as a Spare Module)
TLS-300i	4	No module required, probe input capability factory installed				
TLS-300C	2					

	Part # & Description	Float Size	Cable Lengths	Min/Max Probe Length
<b>Float Installation Kits</b>	846400-0X4 Mag Plus Alternative Fluids Float Kit - No Water Float	4" (10.16cm)	5' (1.5m), 10' (3.05m), 20' (6.1m)	48" (1.2m) - 144" (3.66m)
	846400-3X4 Mag Plus Alternative Fluids Float Kit - No Water Float	3" (7.62cm)		
	846400-1X4 Mag Plus Alternative Fluids Float Kit - No Water Float	2" (5.08cm)		
<b>Other Installation Accessories</b>	312020-952 4" (10.16cm) NPT Riser Cap and Ring Kit for In-Tank Probes 330020-282 4" (10.16cm) Threaded NPT Riser Cap for In-Tank Probes			
<b>Specifications</b>	<b>Product</b>	<b>Water</b>		
Measurement Accuracy	+/- 0.0300" (0.762mm)	N/A		
Resolution - One Sample Reading	+/- 0.002857" (0.072571mm)	N/A		
Minimum Measurement - 2" (5.08cm) Float Kits	3.23" (8.2cm)	N/A		
Minimum Measurement - 3" (7.62cm) Float Kits	3.04" (7.72cm)	N/A		
Minimum Measurement - 4" (10.16cm) Float Kits	3.04" (7.72cm)	N/A		
Operating (Working) Temperature Range	-40 to +122°F (-40 to +50°C)			
Third Party Evaluation / Agency Listings & Links	UL, cUL, ATEX, IECEx <a href="http://www.nwglde.org/evals/veeder_root_j.html">http://www.nwglde.org/evals/veeder_root_j.html</a>			
Product Installation Guide Link	<a href="https://www.veeder.com/us/technical-document-library">https://www.veeder.com/us/technical-document-library</a>			

**Example Installation**



# Notice

---

Veeder-Root makes no warranty of any kind with regard to this publication, including, but not limited to, the implied warranties of merchantability and fitness for a particular purpose.

**Veeder-Root shall not be liable for errors contained herein or for incidental or consequential damages in connection with the furnishing, performance, or use of this publication.**

Veeder-Root reserves the right to change system options or features, or the information contained in this publication.

This publication contains proprietary information which is protected by copyright. All rights reserved. No part of this publication may be photocopied, reproduced, or translated to another language without the prior written consent of Veeder-Root.

## **Example Illustrations**

Illustrations used in this guide for example sensor installations may contain components that are customer supplied and not included with the sensor. Please check with your Veeder-Root Distributor for recommended installation accessories.

## **Third Party Evaluations**

Third party evaluations of the Veeder-Root sensors contained in this application guide can be found under the Veeder-Root vendor name on the National Work Group on Leak Detection Evaluations (NWGLDE) website:

<http://www.nwglde.org>