



☰ Show/Hide Menu



Defender Series®

## Spill Containers

Defender Series® single and double wall spill containers, available in both grade level and below grade models, provide a durable, easy-to-install, and simple-to-maintain and service spill containment solution for any environment and any application.



HIGHLIGHTS

SPECIFICATIONS

ORDER INFO

DOWNLOADS

### Approvals/Certifications

- UL Listed MH62435 (below grade, and grade level version with CI-GKT cover), ULC Listed (grade level CI-GKT versions only).
- CARB approved (grade level only).
- Exceeds H20 and HS20 load standards (maximum axle load requiring support for the 32,000 or 16,000 pounds for each set of dual tire wheels).
- UL2447 listed for only those fuels formulated in accordance with 40CFR80, "Regulation of Fuels and Fuel Additives," and meeting the following ASTM fuel specifications and blend limit:
- ASTM D975 diesel with or without biodiesel blends up to 5% (B5)
  - ASTM D7467 diesel with biodiesel blends between 6% - 20% (B6 - B20)
  - ASTM D4814 gasoline with ethanol blends up to 10% (E10)
  - ASTM D5798 high-blend ethanol, with ethanol/gasoline blends between 51% - 83% (E51 - E83) - commercially known as "E-85"
  - Mid-range ethanol, with ethanol/gasoline blends of ASTM D4814 and ASTM D5798 blends between 11% - 50% (E11 - E50)
- In addition to UL2447 listed fuels, the following fuels are also compatible:
  - Biodiesel up to 5% B5
  - Biodiesel up to 20% B20
  - Biodiesel at 97%-100% B99/B100
  - All ASTM biofuel blends

### Components

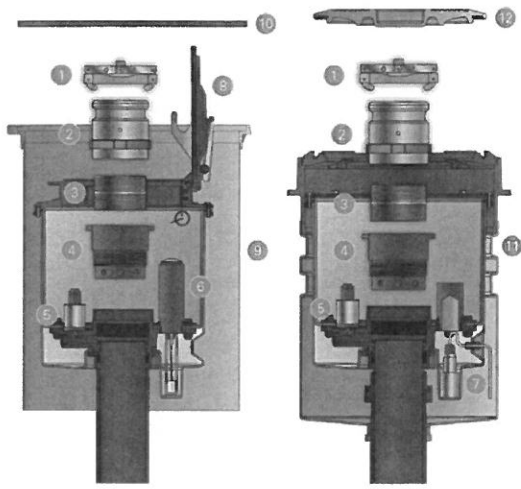


## SIGN ME UP

Get the latest news and events straight to your inbox.

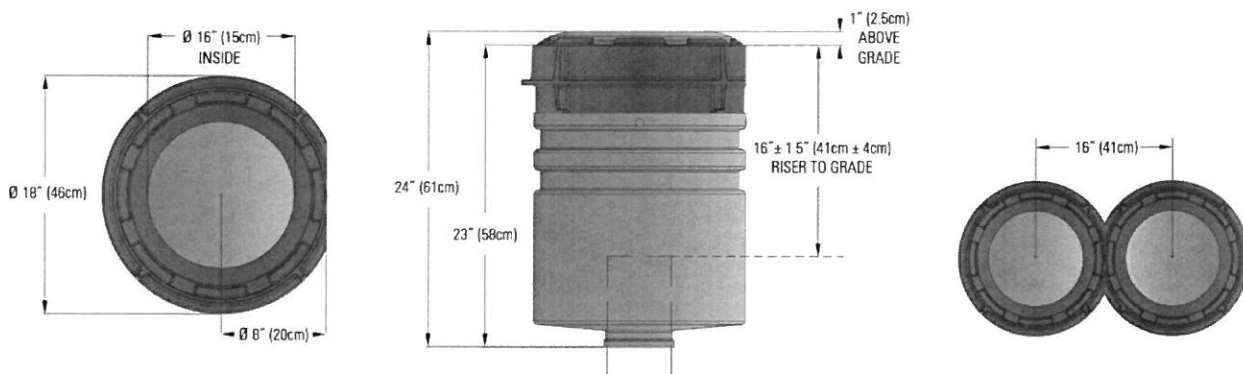
Enter your email address here...

SIGN UP

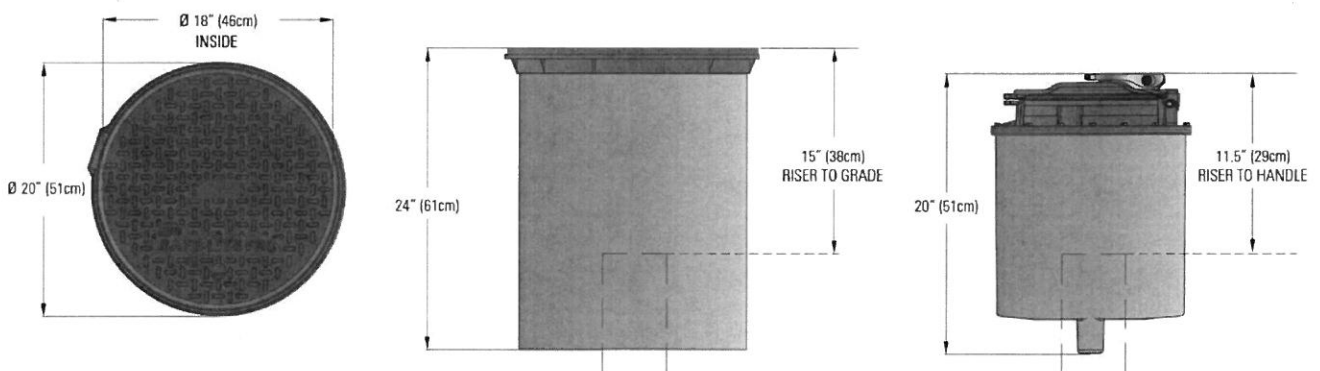


- 8. Lock down lid
- 9. 18" manway
- 10. Fiberglass manyway lid
- 11. Gravel guard
- 12. Cast iron gasketed lid

## Grade Level Spill Container Dimensions



## Below Grade Spill Container Dimensions



## Configurations



**SIGN ME UP**

Get the latest news and events straight to your inbox.

Enter your email address here...

**SIGN UP**

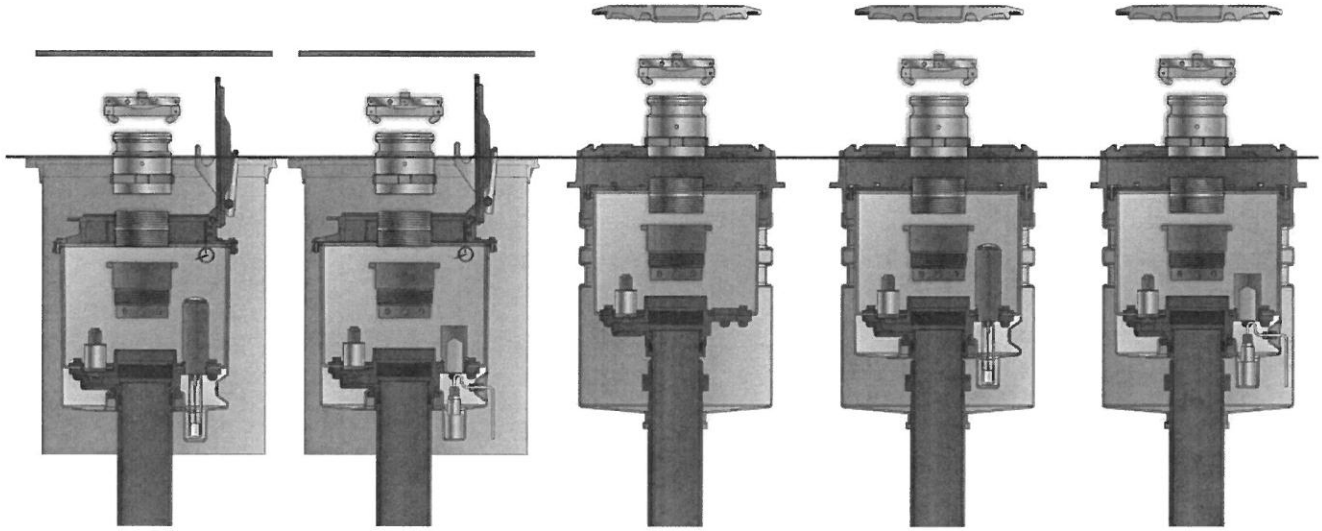
Below Grade  
Double Wall  
Visual Monitor

Below Grade  
Double Wall  
Electronic Monitor

Grade Level  
Single Wall

Grade Level  
Double Wall  
Visual Monitor

Grade Level  
Double Wall  
Electronic Monitor



[Contact Us](#)

[Corporate](#)

[Job Opportunities](#)

[Policies](#)

[Legal Notices](#)

Franklin Fueling Systems

3760 Marsh Road

Madison, Wisconsin 53718 USA

Phone: +1 (608) 838-8786

**SYSTEM SOLUTIONS™**



©2022 Franklin Fueling Systems



**SIGN ME UP**

Get the latest news and events straight to your inbox.

Enter your email address here...

**SIGN UP**