

# M Model 691BSS Full Port Locking Ball Valve

SPECIFICATION SHEET

## Application

Ball valves are used throughout fuel piping systems where a shut-off is required or desired.

## Features and Details

- Female NPT threaded inlet and outlet
- Quarter turn operation
- Full port for maximum flow and minimum pressure drop
- Can be operated in partial open position for flow control
- Double seal allows the valve to be operated in both directions
- Blowout-proof stem
- 1000 PSIG non-shock cold working pressure
- Can be used for air service
- Lockable with a padlock

## Materials of Construction

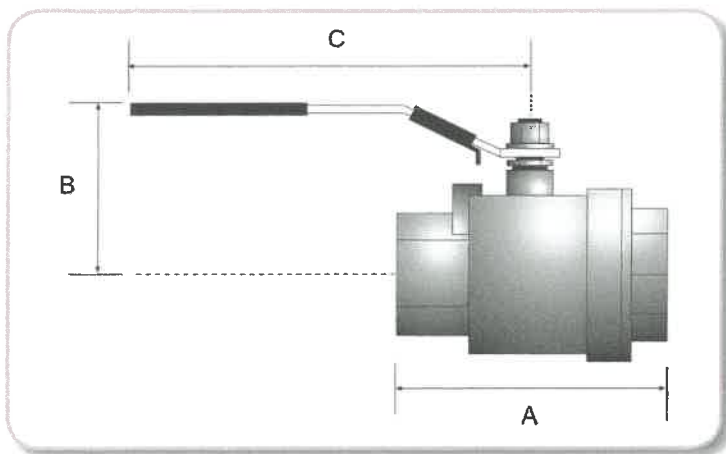
- Body and ball... CF8M stainless steel
- Seal... pure PTFE

## Code Compliance

Test standard API 598; NACE compliance MR-01-75



Item Number	Size	Weight (lbs)
691BSS0200 1V	3/4"	0.50
691BSS0300 1V	1/2"	0.70
691BSS0400 1V	3/4"	1.16
691BSS0500 1V	1"	1.62
691BSS0700 1V	1 1/2"	3.38
691BSS0800 1V	2"	6.11
691BSS1000 1V	3"	19.60



Size	Dimension A	Dimension B	Dimension C	Port Size
3/4"	2.28"	2.24"	4.06"	.49"
1/2"	2.44"	2.24"	3.78"	.63"
3/4"	2.80"	2.70"	4.96"	.79"
1"	3.27"	2.85"	4.96"	.98"
1 1/2"	4.04"	3.74"	7.01"	1.50"
2"	4.92"	4.11"	7.01"	2.01"
3"	7.55"	5.46"	11.26"	3.15"

570 E. 7th Street, P.O. Box 238 | Dubuque, IA 52004-0238  
t. 563.583.5701 | 800.553.4840 | f. 563.583.5028

www.morbros.com